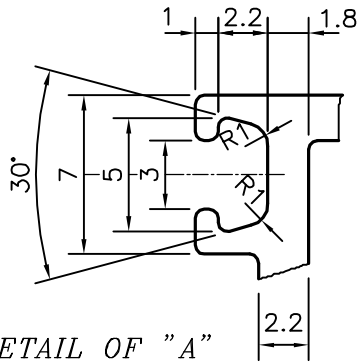
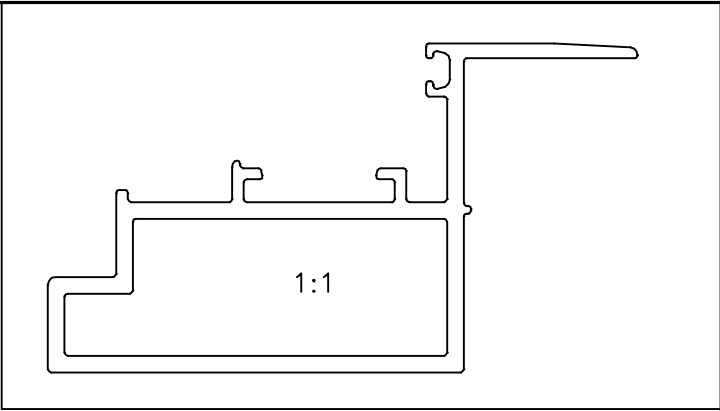
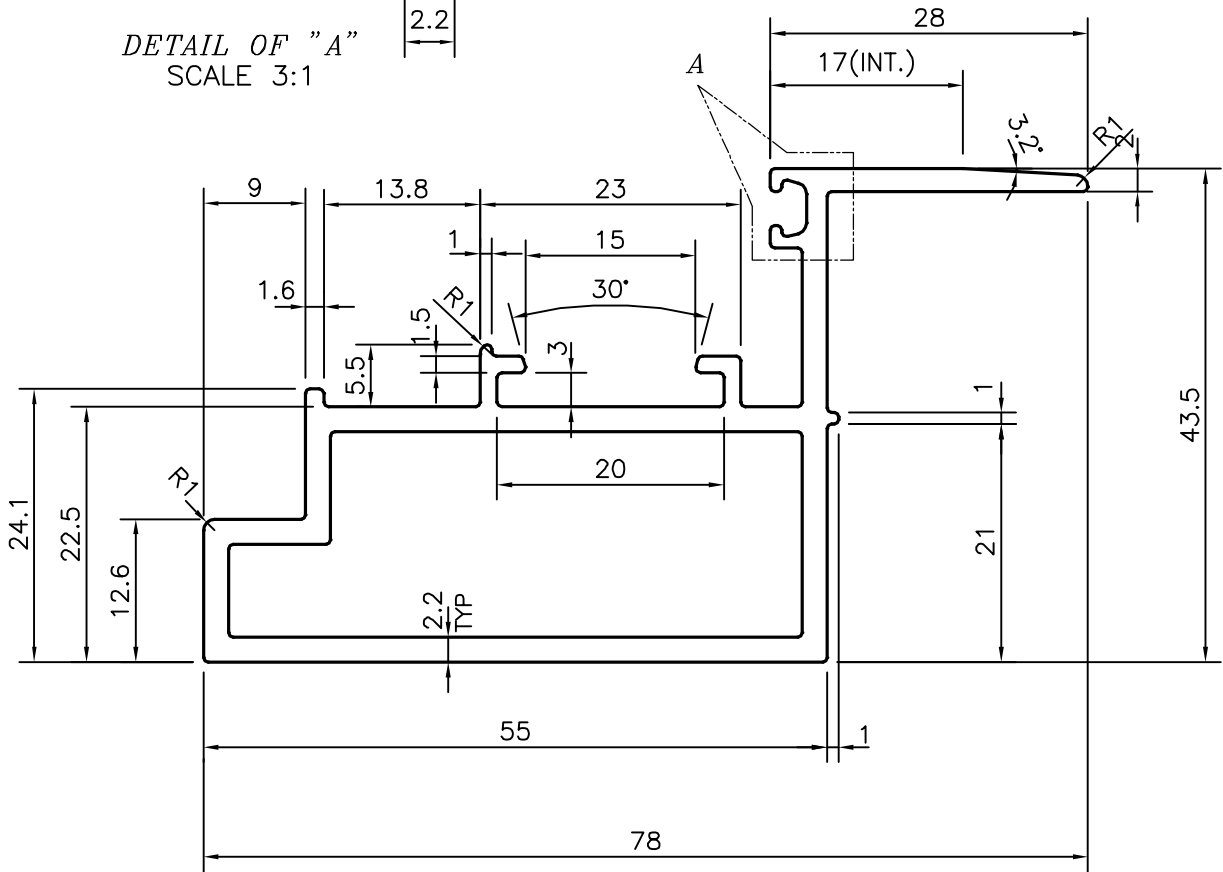


P-15213-1
S4896
36005



DETAIL OF "A"  
SCALE 3:1



**JINDAL ALUMINIUM LTD.**  
BANGALORE-560073 (INDIA)

	NAME	DATE
DRAWN	J.P.KAUSHIK	05-04-2016
CHECKED		
APPROVED	S.S. GARG	06-04-2016
SCALE		1.5:1
AREA mm <sup>2</sup>		441.913
PERIMETER mm.		284.882
WEIGHT kg/m		1.193
DRAWING No.	SECTION No.	
P-15213-1	-	
S4896	S4896	
36005	36005	

1. ALL DIMENSIONS ARE IN mm. 2. ROUND OFF ALL SHARP CORNERS WITH 0.40 mm. 3. TOLERANCES WILL BE AS PER IS:6477-1983 UNLESS OTHERWISE SPECIFIED	
PARTY'S NAME	AHLUWALIA CONTRACTS INDIA LTD., NEW DELHI
PARTY'S DRAWING No.	AS PER AutoCAD DRAWING
ALLOY & TEMPER	HE9 WP
DESCRIPTION	CURTAIN WALL SECTION