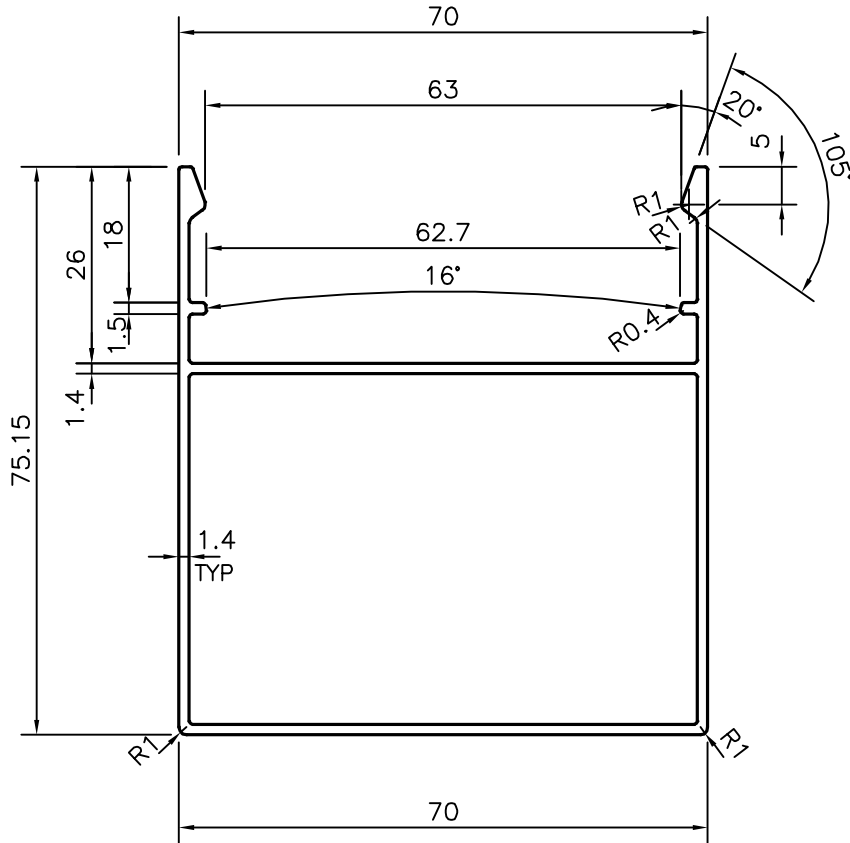
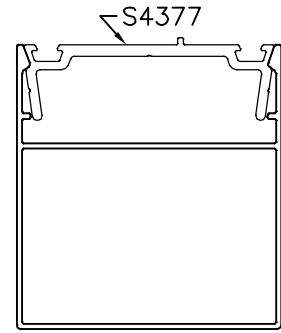



P-15252
S4898
36007



 SYMBOL OF QUALITY AN ISO 9002 COMPANY	JINDAL ALUMINIUM LTD. BANGALORE-560073 (INDIA)	NAME		DATE
		DRAWN	J.P.KAUSHIK	28-10-2015
1. ALL DIMENSIONS ARE IN mm. 2. ROUND OFF ALL SHARP CORNERS WITH 0.40 mm. 3. TOLERANCES WILL BE AS PER IS:6477-1983 UNLESS OTHERWISE SPECIFIED		CHECKED		
		APPROVED		S.S. GARG 04-04-2016
PARTY'S NAME		SCALE		1:1
		AREA mm ²		422.669
PARTY'S DRAWING No.		PERIMETER mm.		351.218
		WEIGHT kg/m		1.141
ALLOY & TEMPER		DRAWING No.		SECTION No.
		P-15252		-
DESCRIPTION		S4898		S4898
		36007		36007