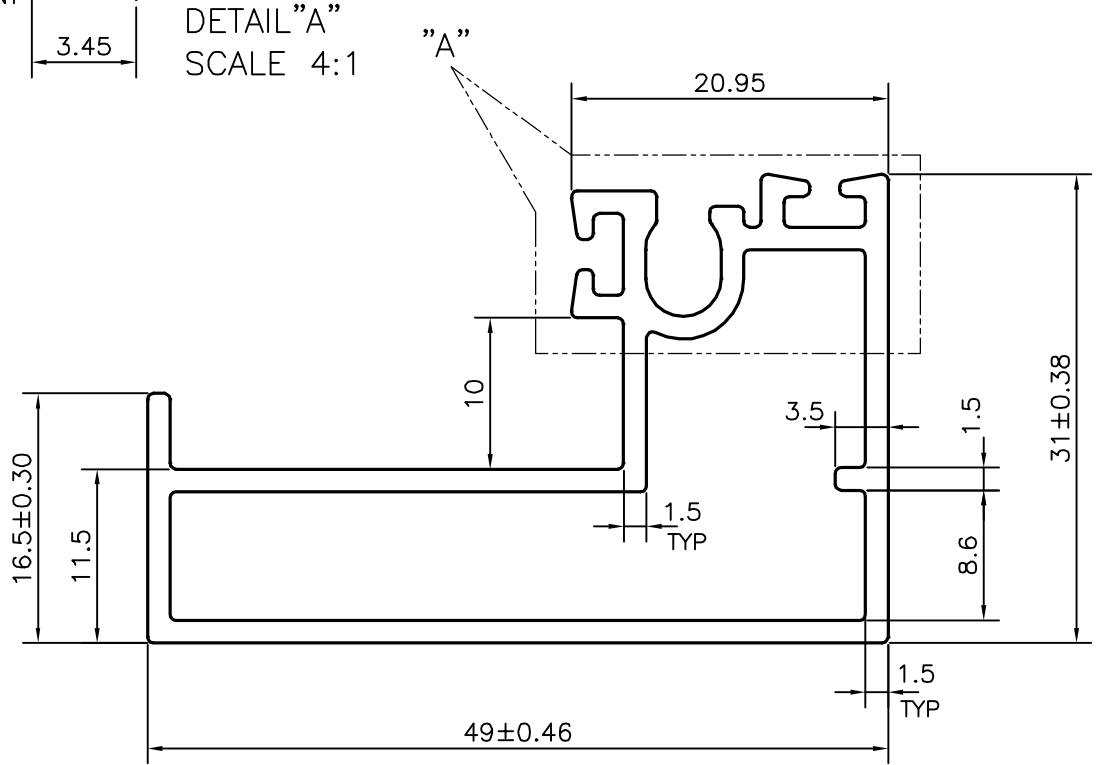
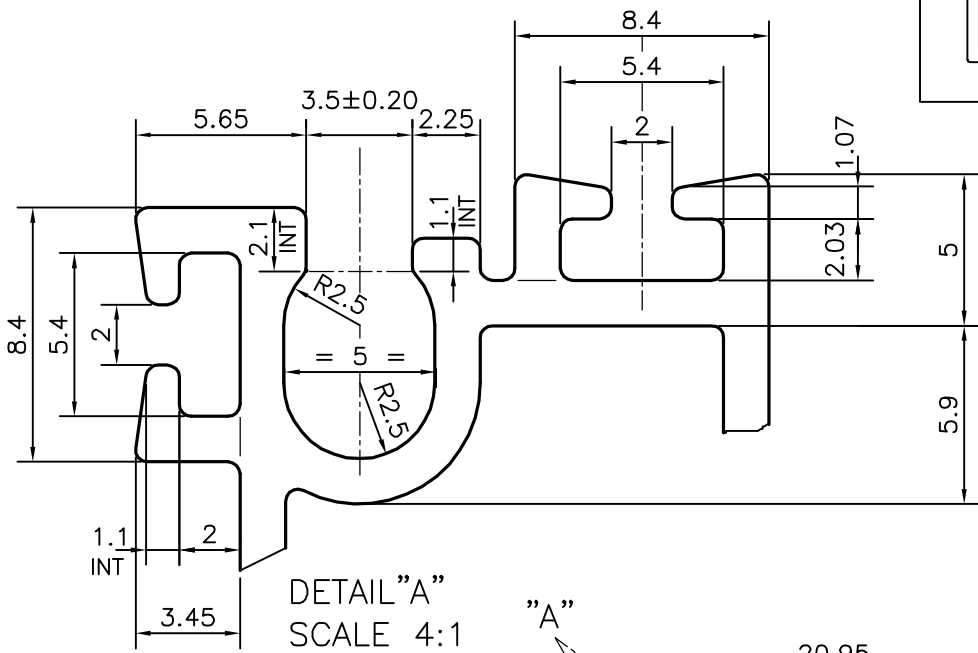
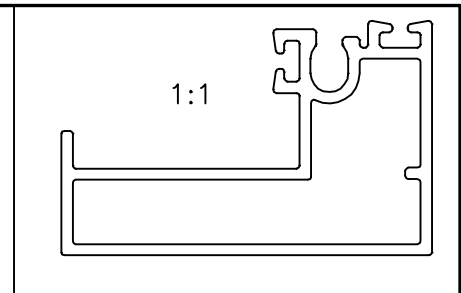


P-10736-1

X1480

36025



SYMBOL OF QUALITY
AN ISO 9001 COMPANY

JINDAL ALUMINIUM LTD.
BANGALORE-560073 (INDIA)

	NAME	DATE
DRAWN	J.P.KAUSHIK	10-02-2011
CHECKED		
APPROVED	J.N. RAI	18-02-2011
SCALE		2:1
AREA mm ²		275.642
PERIMETER mm.		216.651
WEIGHT kg/m		0.744
DRAWING No.	SECTION No.	
P-10736-1	-	
X1480	X1480	
36025	36025	

1. ALL DIMENSIONS ARE IN mm.
2. ROUND OFF ALL SHARP CORNERS WITH 0.40 mm.
3. TOLERANCES WILL BE AS PER, IS:6477-1983 UNLESS OTHERWISE SPECIFIED

PARTY'S NAME	AMBICA ALUMINUM COMPANY, BANGALORE
PARTY'S DRAWING No.	5783
ALLOY & TEMPER	HE9 WP
DESCRIPTION	MISC. SECTION