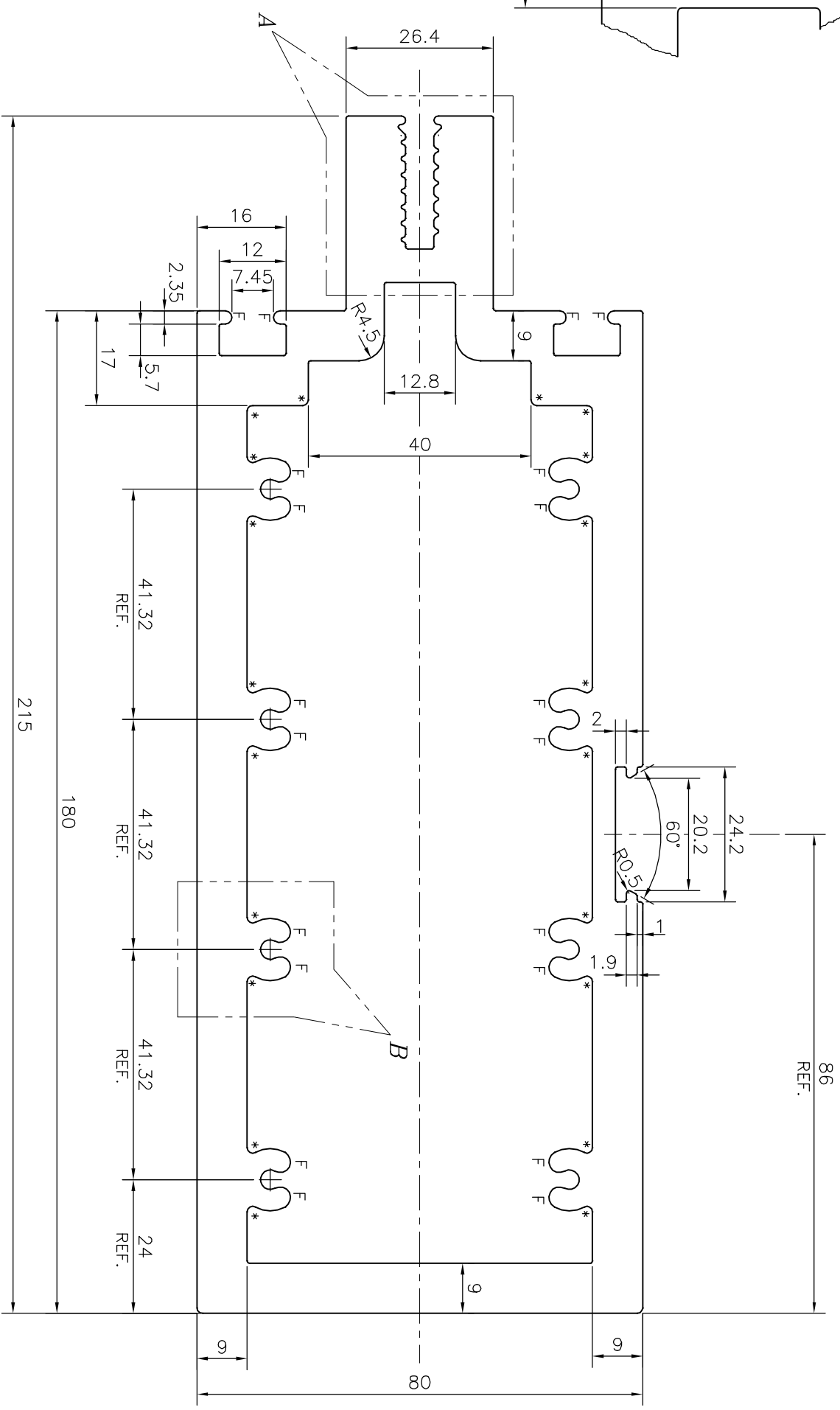
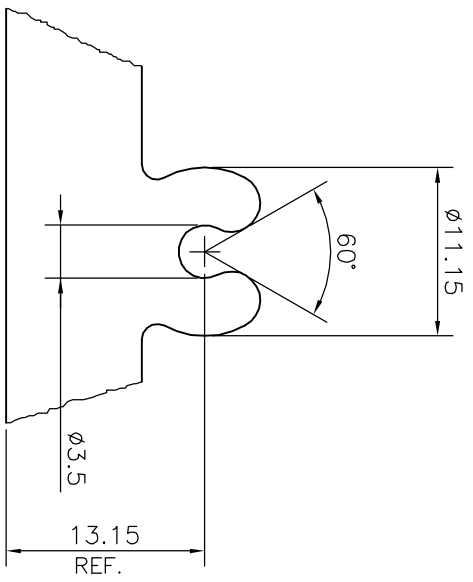
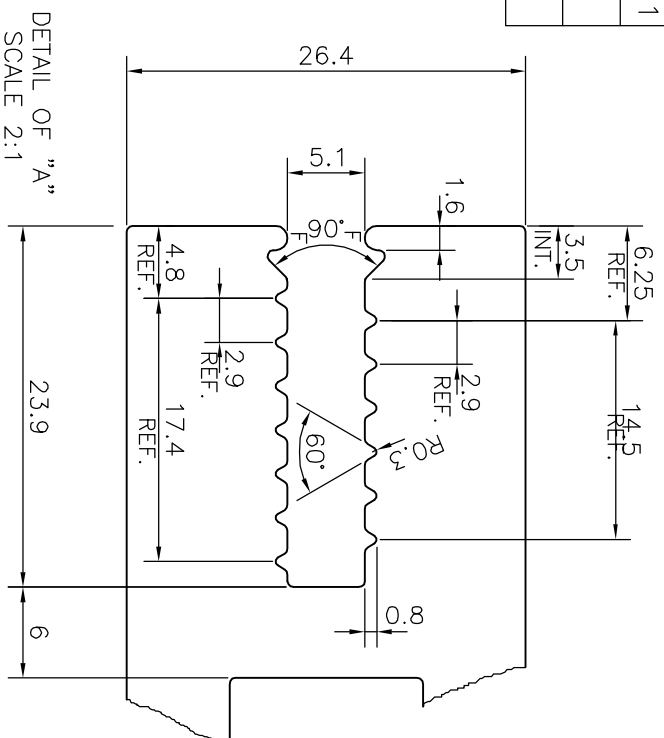
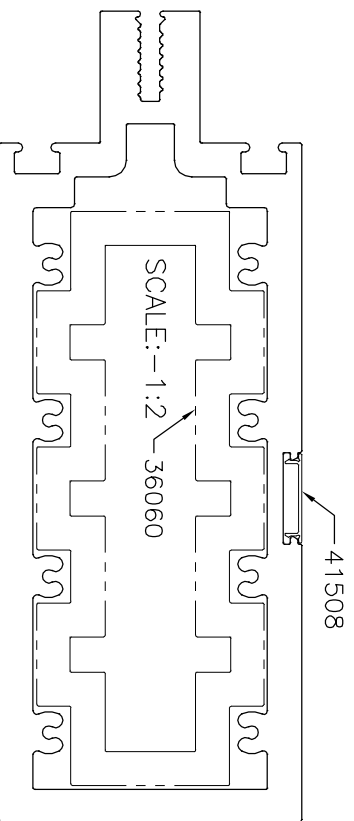


P-18967-1


36061



DETAIL OF "B"
SCALE 2:1



* = RADIUS 1.0 (20 PLACES)
F = FULL RADIUS (22 PLACES)

 SYMBOL OF QUALITY AN ISO 9001 COMPANY JINDAL ALUMINIUM LTD. BANGALORE-560073 (INDIA)		NAME	DATE
		DRAWN	J.P. KAUSHIK
1. ALL DIMENSIONS ARE IN mm. 2. ROUND OFF ALL SHARP CORNERS WITH 0.40 mm. 3. TOLERANCES WILL BE AS PER BS:EN-755-9 UNLESS OTHERWISE SPECIFIED		CHECKED	
		APPROVED	B. NATARAJA
PARTY'S NAME	GLASS & MIRROR FIJI LTD., FIJI	SCALE	1:1
PARTY'S DRAWING No.	CKAU2778 & REQUIREMENT	AREA mm ²	5357.095
ALLOY & TEMPER	6063 T5	PERIMETER mm.	707.43
DESCRIPTION	MULLION SECTION	WEIGHT kg/m	14.464
		DRAWING No.	SECTION No.
		P-18967-1	-
		36061	36061