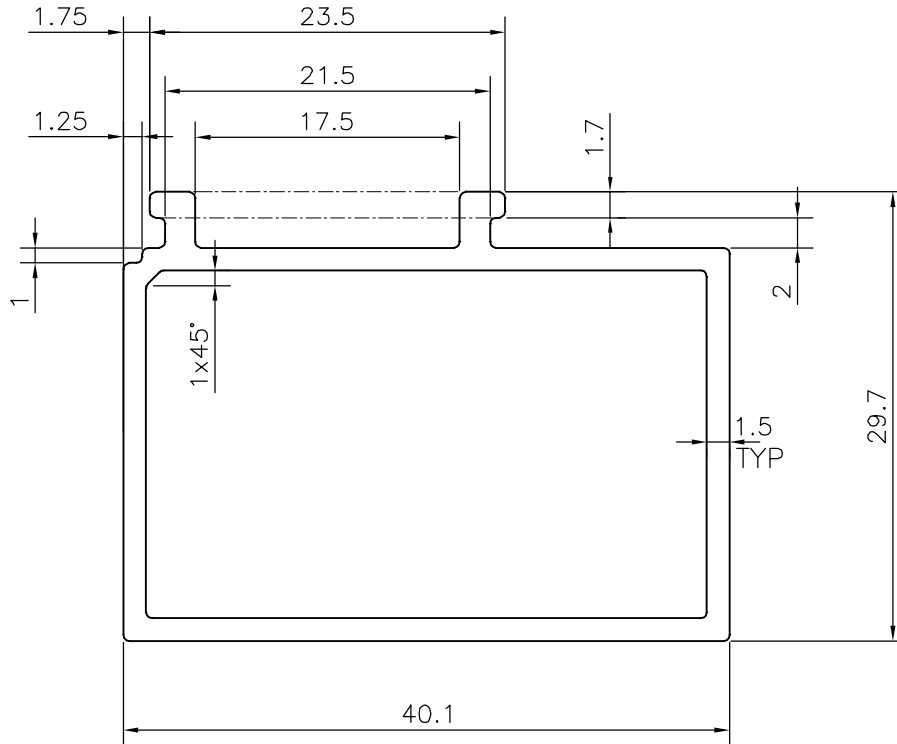
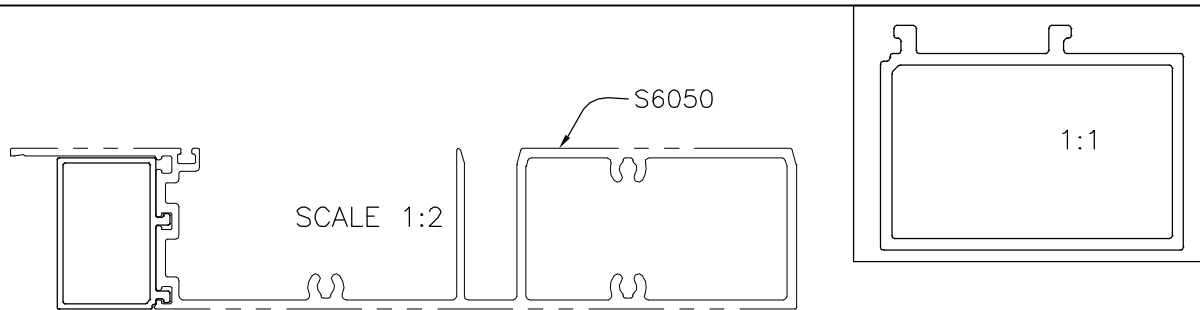



P-18888
S6051
36090



TOLERANCES ON OVERALL WIDTHS & WIDTHS ACROSS FLATS OF BARS, & REGULAR SECTIONS

UPTO 6.40mm - ±0.20	UPTO 32.0mm - ±0.38	UPTO 120.0mm - ±0.85	1. STRAIGHTNESS=1.7mm/M 2. TWIST=1.7mm/M 3. ANGULARITY= ±2° 4. FLATNESS =0.007xWIDTH
UPTO 10.0mm - ±0.23	UPTO 50.0mm - ±0.46	UPTO 160.0mm - ±1.02	
UPTO 12.0mm - ±0.25	UPTO 60.0mm - ±0.53	UPTO 200.0mm - ±1.14	
UPTO 16.0mm - ±0.28	UPTO 80.0mm - ±0.69	UPTO 250.0mm - ±1.40	
UPTO 25.0mm - ±0.30	UPTO 100.0mm - ±0.75	UPTO 300.0mm - ±1.65	

 SYMBOL OF QUALITY AN ISO 9001 COMPANY	JINDAL ALUMINIUM LTD. <i>BANGALORE-560073 (INDIA)</i>	DRAWN	NAME	DATE
		CHECKED	J.P.KAUSHIK	19-11-2018
1. ALL DIMENSIONS ARE IN mm. 2. ROUND OFF ALL SHARP CORNERS WITH 0.40 mm. 3. TOLERANCES WILL BE AS PER IS:6477-1983 , UNLESS OTHERWISE SPECIFIED		APPROVED	B.NATARAJA	01-12-2018
		SCALE		2:1
PARTY'S NAME GLOBAL SYNDICATE, BANGALORE		AREA	mm ²	206.723
		PERIMETER	mm.	147.91
PARTY'S DRAWING No. AS PER DRAWING		WEIGHT	kg/m	0.558
		DRAWING No.		SECTION No.
ALLOY & TEMPER 6063 T6		P-18888		-
		S6051		S6051
DESCRIPTION SINGLE GLASS ADAPTOR TYPE-2 SECTION		36090		36090