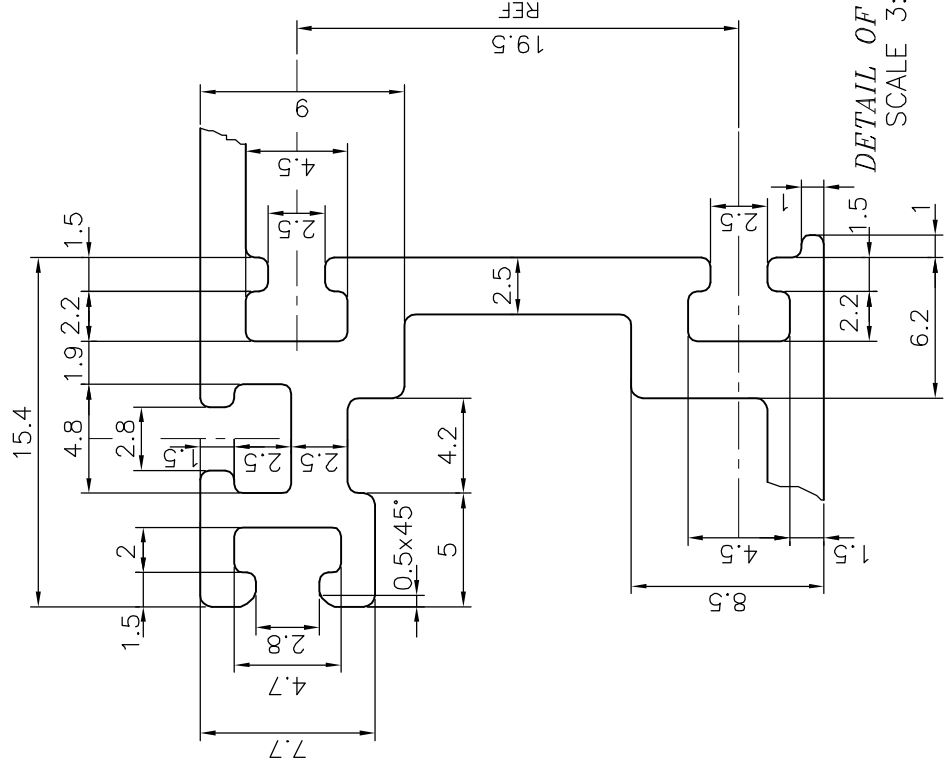
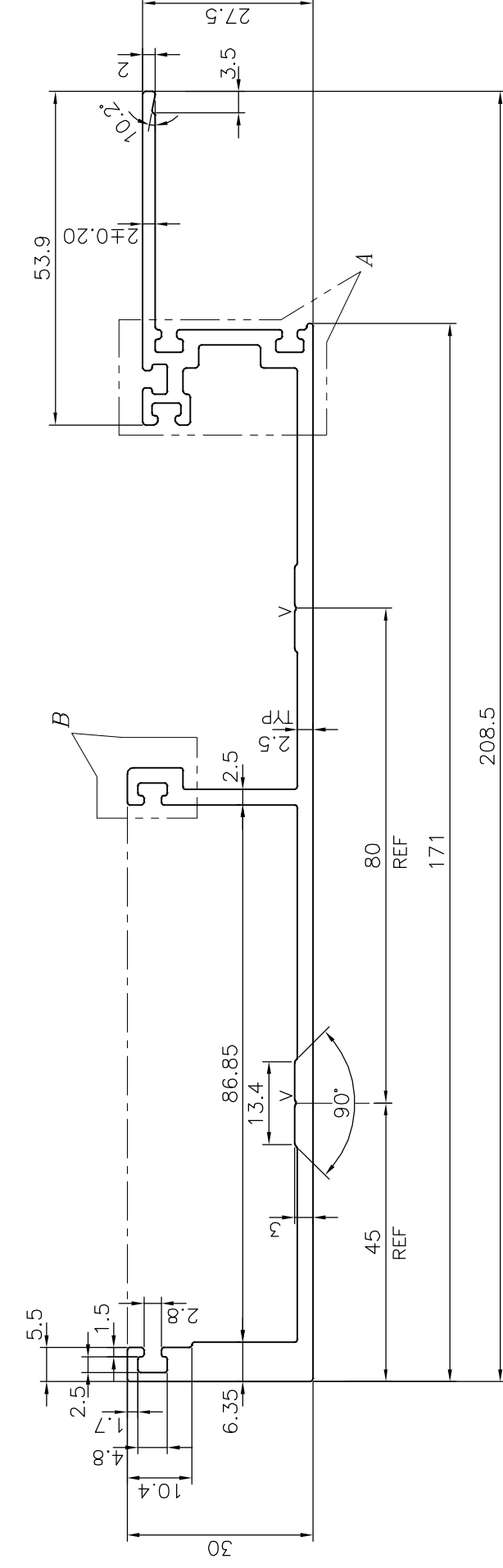
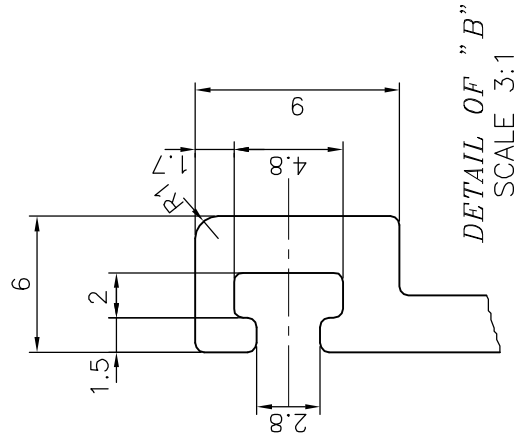
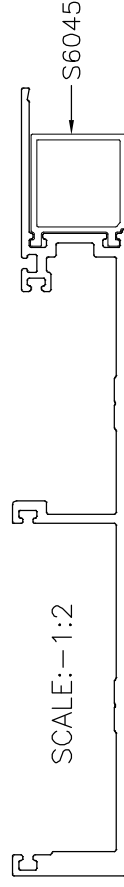


P-18176

S6054

36093




V = V GROOVE 0.3x90° (2 PLACES)

TOLERANCES ON OVERALL DIMENSIONS OF HOLLOW SECTIONS

UPTO 20.0mm - ±0.30	UPTO 80.0mm - ±0.70	UPTO 180.0mm - ±1.27
UPTO 30.0mm - ±0.38	UPTO 100.0mm - ±0.80	UPTO 200.0mm - ±1.40
UPTO 40.0mm - ±0.45	UPTO 120.0mm - ±0.90	UPTO 225.0mm - ±1.52
UPTO 50.0mm - ±0.52	UPTO 140.0mm - ±1.00	
UPTO 60.0mm - ±0.60	UPTO 160.0mm - ±1.14	

1. STRAIGHTNESS=1.7mm/M
2. TWIST=1.7mm/M
3. ANGULARITY= ±2°
4. FLATNESS =0.006xWIDTH

 SYMBOL OF QUALITY AN ISO 9001 COMPANY	JINDAL ALUMINIUM LTD. BANGALORE-560073 (INDIA)		DRAWN J.P.KAUSHIK 05-05-2018
			CHECKED
			APPROVED B.NATARAJA 01-12-2018
1. ALL DIMENSIONS ARE IN mm. 2. ROUND OFF ALL SHARP CORNERS WITH 0.40 mm. 3. TOLERANCES WILL BE AS PER IS:3965-1981 UNLESS OTHERWISE SPECIFIED		SCALE 1:1	AREA mm ² 877.988
PARTY'S NAME GLOBAL SYNDICATE, BANGALORE		PERIMETER mm. 674.939	WEIGHT kg/m 2.371
PARTY'S DRAWING No. AS PER DRAWING		DRAWING No. P-18176	SECTION No. -
ALLOY & TEMPER 6063 T6		DRAWING No. S6054	SECTION No. S6054
DESCRIPTION FEMALE MULLION SECTION		DRAWING No. 36093	SECTION No. 36093