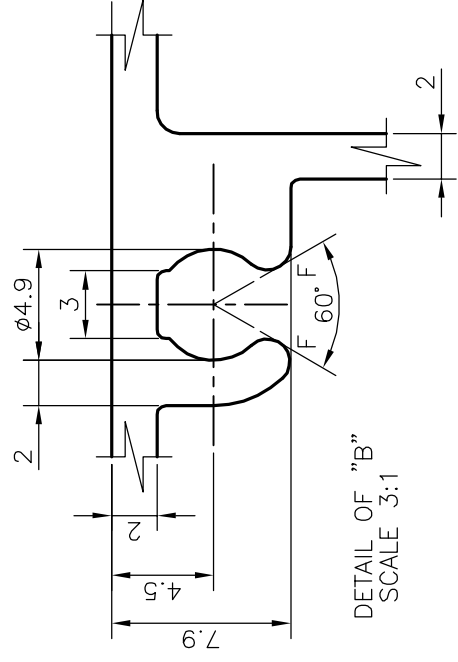
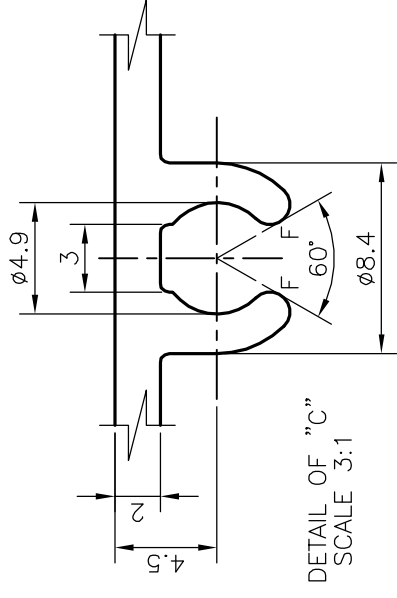


P-20794

36157

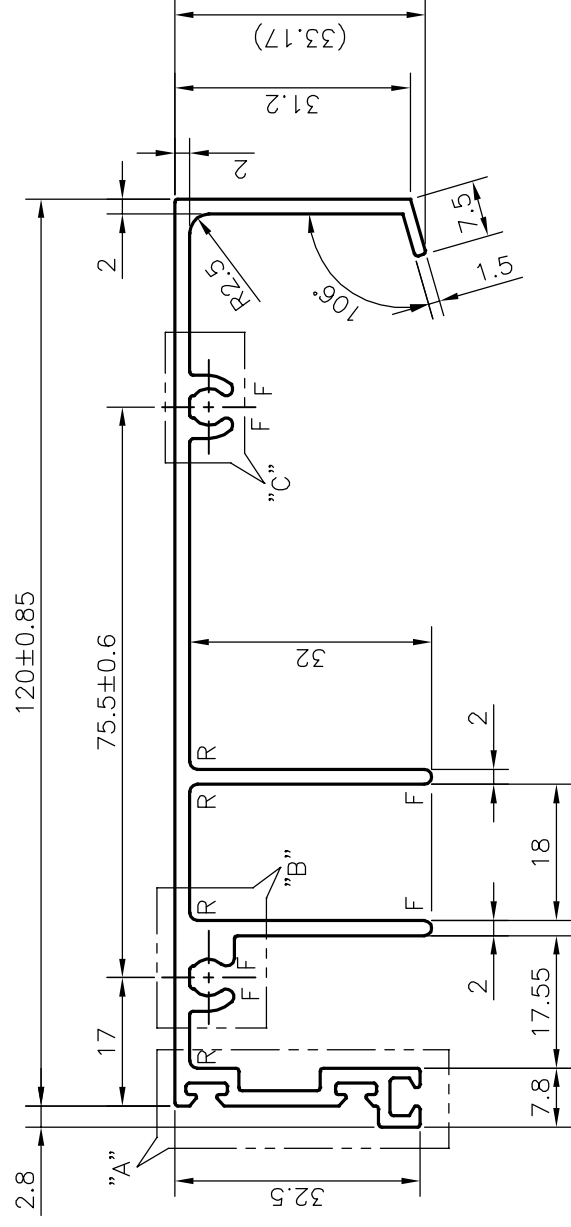
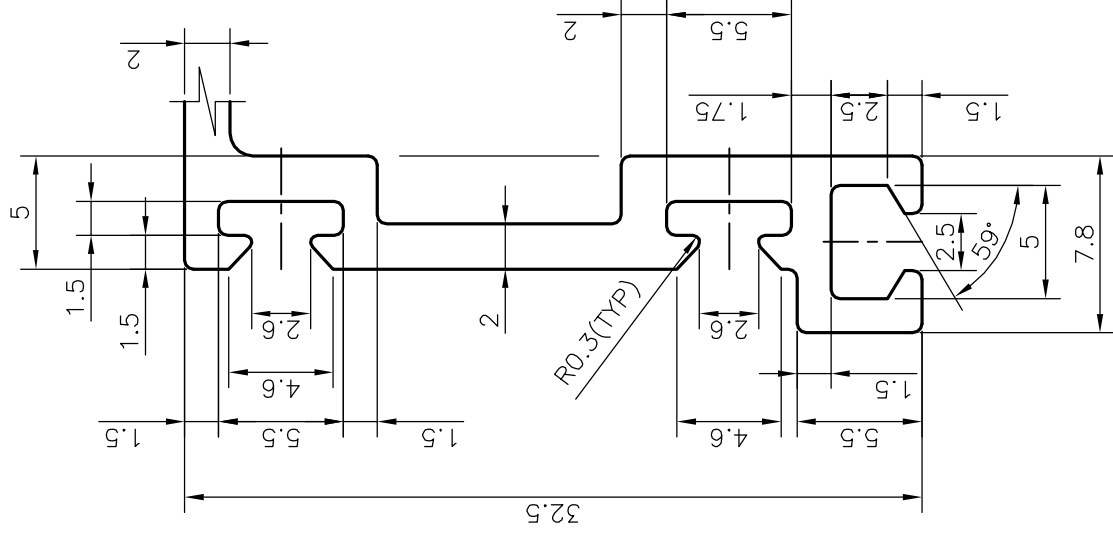


DETAIL OF "B"
SCALE 3:1




DETAIL OF "C"
SCALE 3:1

DETAIL OF "A"
SCALE 3:1



F = FULL RADIUS (6 PLACES)
 R = R1.00 mm (4 PLACES)
 UNSPECIFIED TOLERANCE TO BE ±0.35 mm

 SYMBOL OF QUALITY AN ISO 9001 COMPANY	JINDAL ALUMINIUM LTD. BANGALORE-560073 (INDIA)		NAME J.P.KAUSHIK	DATE 19-02-2020
	APPROVED B.NATARAJA	APPROVED B.NATARAJA	SCALE 1:1	AREA mm ² 585.341
	PERIMETER mm. 569.207	WEIGHT kg/m 1.580	DRAWING No. P-20794	SECTION No. 36157

PARTY'S NAME ALUMILITE ARCHITECTURALS PVT. LTD., MUMBAI	PARTY'S DRAWING No. AS PER 29024
ALLOY & TEMPER HE9 WP	DESCRIPTION ST. GLAZING SILL SECTION

1. ALL DIMENSIONS ARE IN mm. 2. ROUND OFF ALL SHARP CORNERS WITH 0.40 mm. 3. TOLERANCES WILL BE AS PER IS:3965-1981 UNLESS OTHERWISE SPECIFIED
--