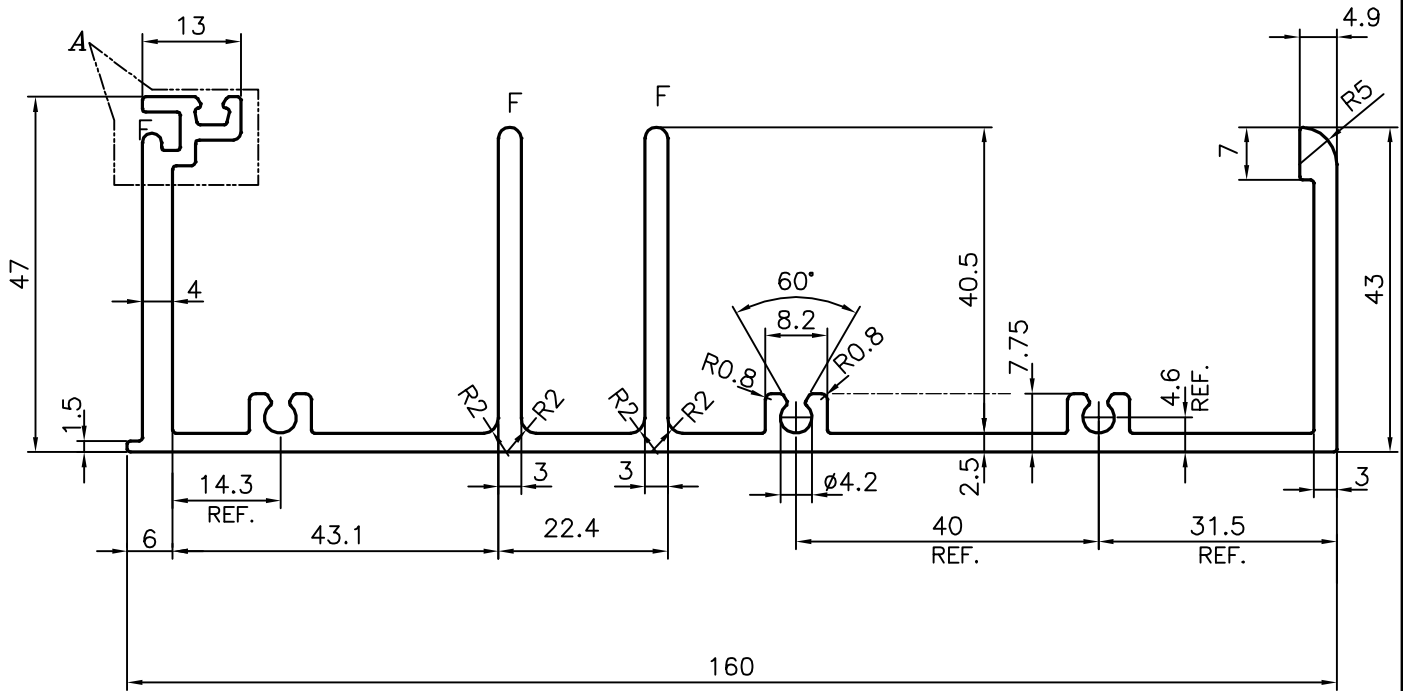
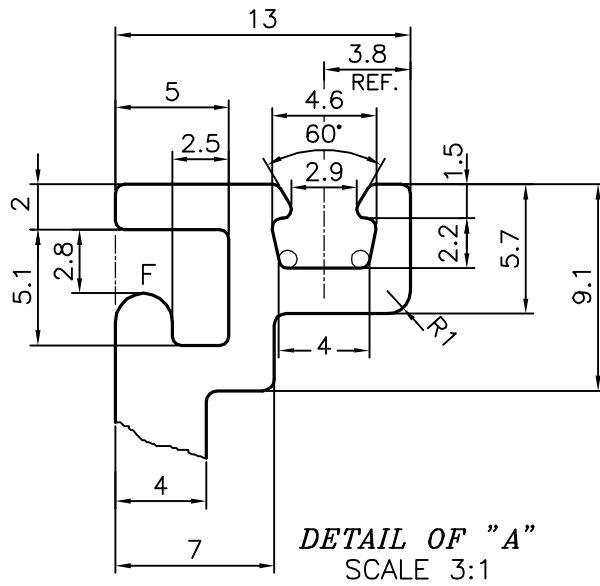



P-17892
S5688
36170



F = FULL RADIUS (3 PLACES)

**TOLERANCES ON OVERALL WIDTHS & WIDTHS ACROSS FLATS OF BARS, & REGULAR SECTIONS**

UPTO 6.40mm - ±0.20	UPTO 32.0mm - ±0.38	UPTO 120.0mm - ±0.85	1. STRAIGHTNESS=1.7mm/M 2. TWIST=1.7mm/M 3. ANGULARITY= ±2° 4. FLATNESS =0.007xWIDTH
UPTO 10.0mm - ±0.23	UPTO 50.0mm - ±0.46	UPTO 160.0mm - ±1.02	
UPTO 12.0mm - ±0.25	UPTO 60.0mm - ±0.53	UPTO 200.0mm - ±1.14	
UPTO 16.0mm - ±0.28	UPTO 80.0mm - ±0.69	UPTO 250.0mm - ±1.40	
UPTO 25.0mm - ±0.30	UPTO 100.0mm - ±0.75	UPTO 300.0mm - ±1.65	

 SYMBOL OF QUALITY AN ISO 9001 COMPANY	<b>JINDAL ALUMINIUM LTD.</b> BANGALORE-560073 (INDIA)	DRAWN	J.P.KAUSHIK	DATE	17-02-2018
		CHECKED			
		APPROVED	B.NATARAJ		23-02-2018
1. ALL DIMENSIONS ARE IN mm. 2. ROUND OFF ALL SHARP CORNERS WITH 0.40 mm. 3. TOLERANCES WILL BE AS PER IS:3965-1981 , UNLESS OTHERWISE SPECIFIED		SCALE		1:1	
		AREA mm <sup>2</sup>		1053.117	
		PERIMETER mm.		747.471	
		WEIGHT kg/m		2.843	
				DRAWING No.	SECTION No.
PARTY'S NAME	KSV INFRABUILD, GURGAON	P-17892	-		
PARTY'S DRAWING No.	UCW-TM-160 04	S5688	S5688		
ALLOY & TEMPER	6063 T6	36170	36170		
DESCRIPTION	CURTAIN WALL SECTION				