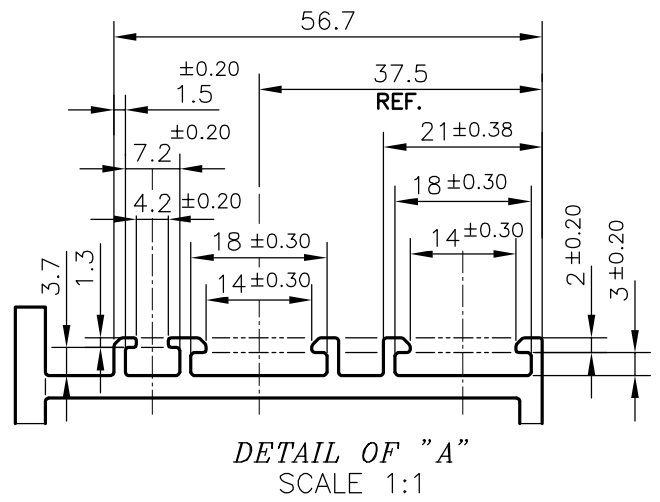
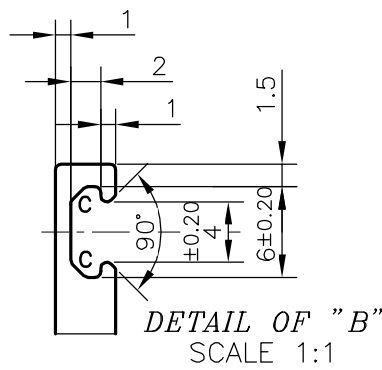
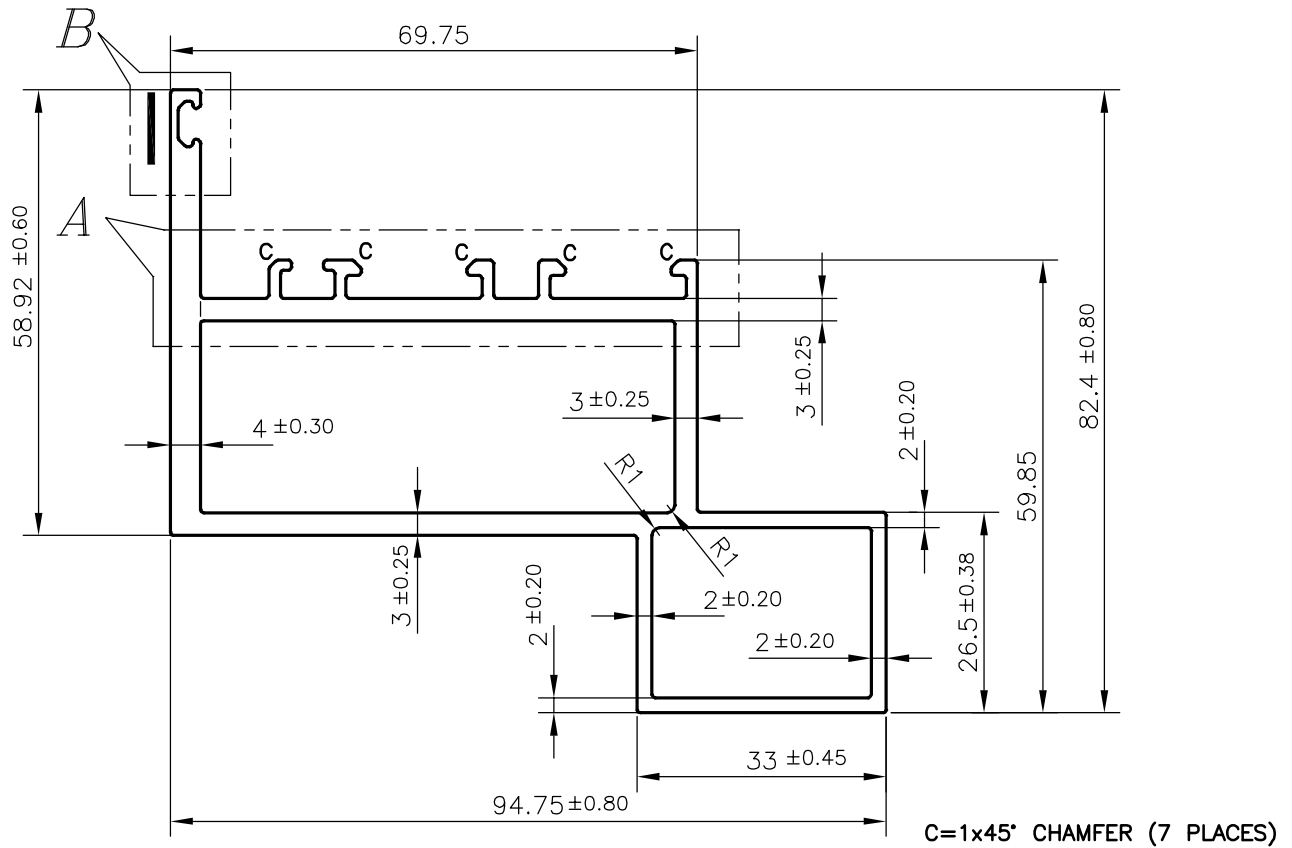


P-20375-1

36207



PLEASE NOTE:-
 — DUE TO THICKNESS VARIATION IMPRESSION MARK MAY APPEAR IN THIS MARKED PORTION.



TOLERANCES ON OVERALL DIMENSIONS OF HOLLOW SECTIONS

UPTO 20.0mm - ±0.30	UPTO 80.0mm - ±0.70	UPTO 180.0mm - ±1.27	1. STRAIGHTNESS=1.7mm/M 2. TWIST=1.7mm/M 3. ANGULARITY= ±2° 4. FLATNESS =0.006xWIDTH
UPTO 30.0mm - ±0.38	UPTO 100.0mm - ±0.80	UPTO 200.0mm - ±1.40	
UPTO 40.0mm - ±0.45	UPTO 120.0mm - ±0.90	UPTO 225.0mm - ±1.52	
UPTO 50.0mm - ±0.52	UPTO 140.0mm - ±1.00		
UPTO 60.0mm - ±0.60	UPTO 160.0mm - ±1.14		

	JINDAL ALUMINIUM LTD. BANGALORE-560073 (INDIA)	NAME	DATE
		DRAWN	DARPAN 18-11-2019
		CHECKED	
		APPROVED	B.NATARAJA 21-09-2020
		SCALE	1:1
		AREA mm ²	944.477
		PERIMETER mm.	424.685
		WEIGHT kg/m	2.550
PARTY'S NAME	GLAZED TECHNO INDIA., MUMBAI.	DRAWING No.	SECTION No.
PARTY'S DRAWING No.	AS PER AUTOCAD DRAWING & REQUIREMENT	P-20375-1	-
ALLOY & TEMPER	6063 T6	36207	36207
DESCRIPTION	ALUMINIUM SHUTTER FRAME		

- ALL DIMENSIONS ARE IN mm.
- ROUND OFF ALL SHARP CORNERS WITH 0.40 mm.
- TOLERANCES WILL BE AS PER IS:6477-1983, UNLESS OTHERWISE SPECIFIED