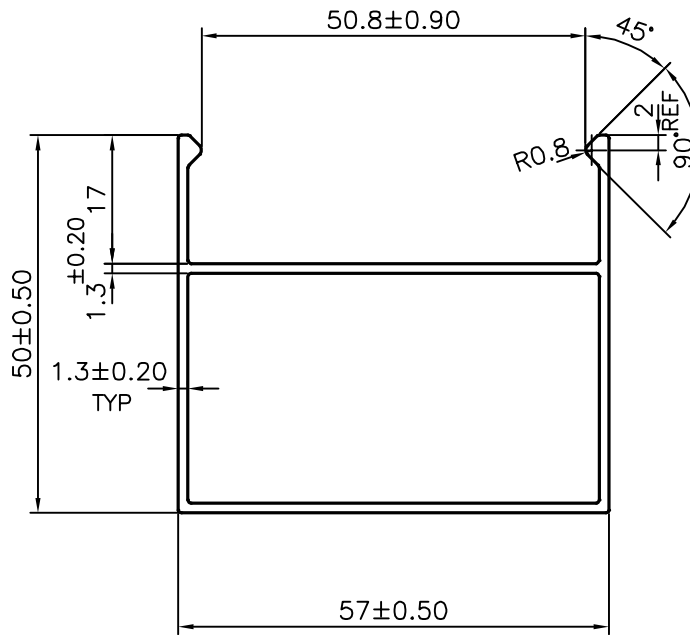


P-21721

36224



AVERAGE WEIGHT: -0.640 kg/m TO 0.873 kg/m



SYMBOL OF QUALITY  
AN ISO 9001 COMPANY

**JINDAL ALUMINIUM LTD.**  
BANGALORE-560073 (INDIA)

	NAME	DATE
DRAWN	J.P.KAUSHIK	27-10-2020
CHECKED		
APPROVED	B.NATARAJA	30-10-2020

1. ALL DIMENSIONS ARE IN mm.
2. ROUND OFF ALL SHARP CORNERS WITH 0.40 mm.
3. TOLERANCES WILL BE AS PER IS:6477-1983 , UNLESS OTHERWISE SPECIFIED

SCALE	1:1
AREA mm <sup>2</sup>	280.302
PERIMETER mm.	249.9
WEIGHT kg/m	0.757

PARTY'S NAME	MAHARASHTRA ALUMINIUM CENTRE, MUMBAI	DRAWING No.	SECTION No.
PARTY'S DRAWING No.	AS PER DRAWING	P-21721	-
ALLOY & TEMPER	6063 T6	36224	36224
DESCRIPTION	MISC. SECTION		