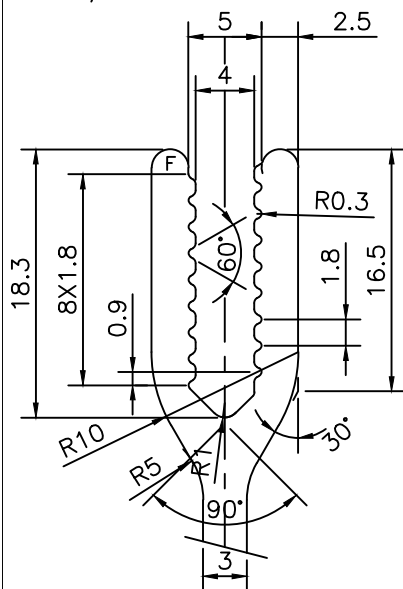
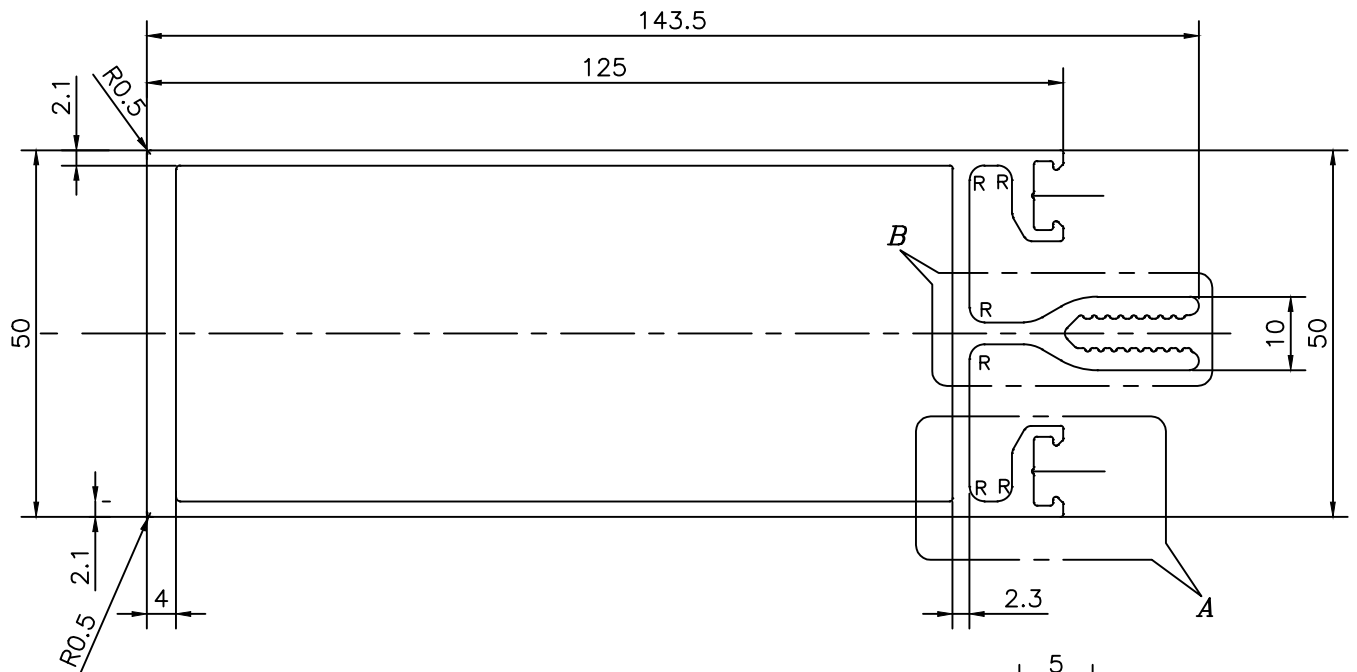
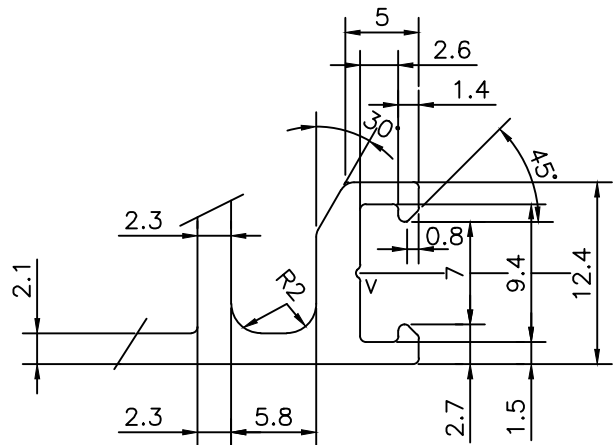


IAL-D-819

36408



DETAIL OF "B"
SCALE: -2:1



DETAIL OF "A"
SCALE: -2:1

R = 2.0R
F = FULL RADIUS
V = V GROOVE 0.30x90° (1 PLACE)



SYMBOL OF QUALITY
AN ISO 9001 COMPANY

JINDAL ALUMINIUM LTD.
BANGALORE-560073 (INDIA)

1. ALL DIMENSIONS ARE IN mm.
2. ROUND OFF ALL SHARP CORNERS WITH 0.40 mm.
3. TOLERANCES WILL BE AS PER IS:6477-1983 , UNLESS OTHERWISE SPECIFIED

	NAME	DATE
DRAWN	PARVESH	27-12-2021
CHECKED		
APPROVED		
SCALE		1:1
AREA mm ²		1036.716
PERIMETER mm.		539.144
WEIGHT kg/m		2.799
DRAWING No.		SECTION No.
IAL-D-819		-
36408		36408

PARTY'S NAME

-

PARTY'S DRAWING No.

AS PER DRAWING

ALLOY & TEMPER

HE9 WP

DESCRIPTION

CURTAIN WALL SECTION