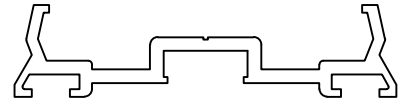
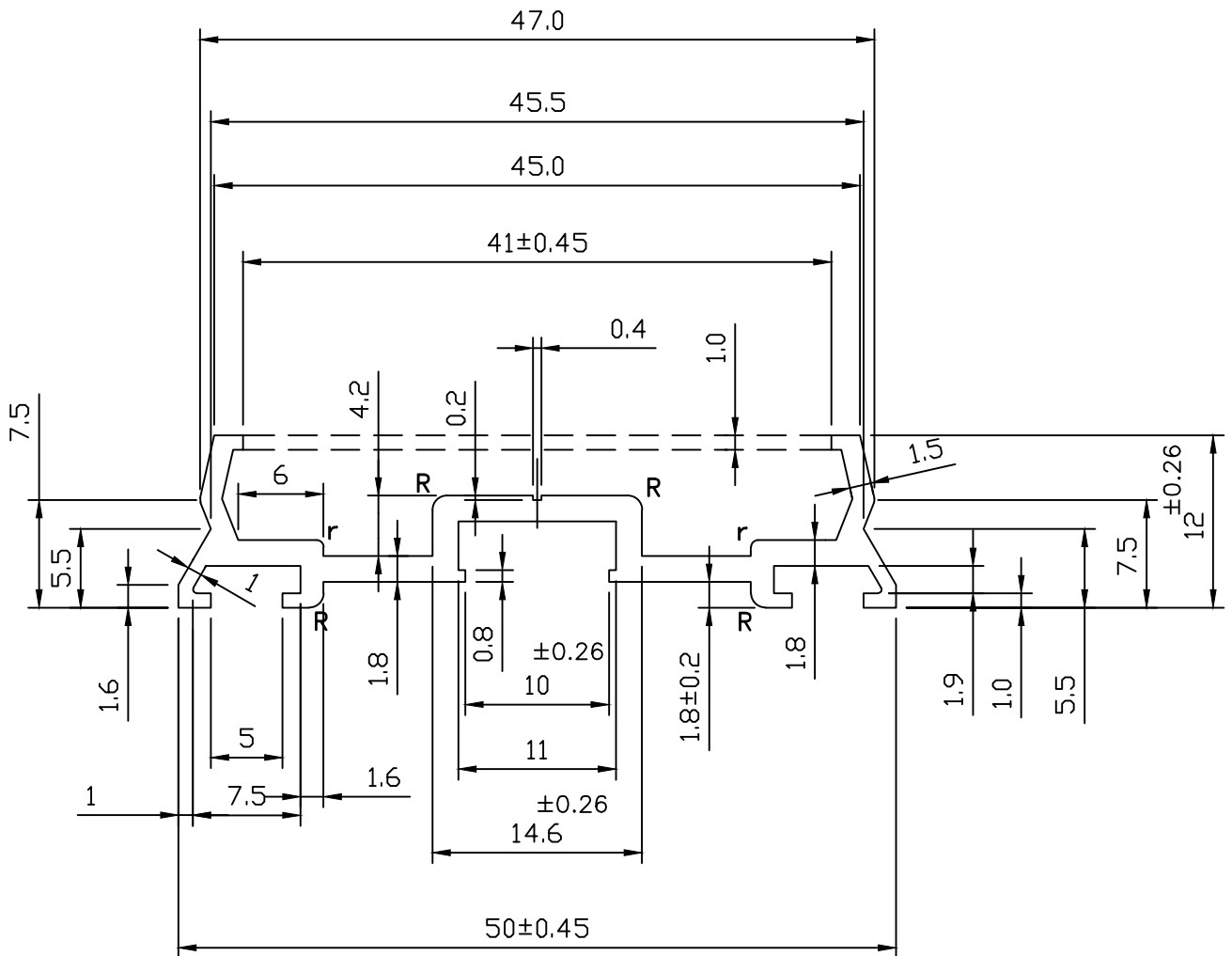


IAL-D-1277

36410



SCALE: 1:1

NOTE:-R = 1.0Rr = 0.5R

SYMBOL OF QUALITY
AN ISO 9001 COMPANY

JINDAL ALUMINIUM LTD.
BANGALORE-560073 (INDIA)

	NAME	DATE
DRAWN	S.K.SHARMA	28-12-2021
CHECKED		
APPROVED		

1. ALL DIMENSIONS ARE IN mm.
2. ROUND OFF ALL SHARP CORNERS WITH 0.40 mm.
3. TOLERANCES WILL BE AS PER BS:EN-755-9 , UNLESS OTHERWISE SPECIFIED

SCALE	1:1&2:1
AREA mm ²	148.5
PERIMETER mm.	182.9
WEIGHT kg/m	0.402

PARTY'S NAME	M/S. WINDOW CRAFT	DRAWING No.	SECTION No.
PARTY'S DRAWING No.	AS PER DRAWING	IAL-D-1277	-
ALLOY & TEMPER	6063-T6	36410	36410
DESCRIPTION	CURTAIN WALL SECTION		