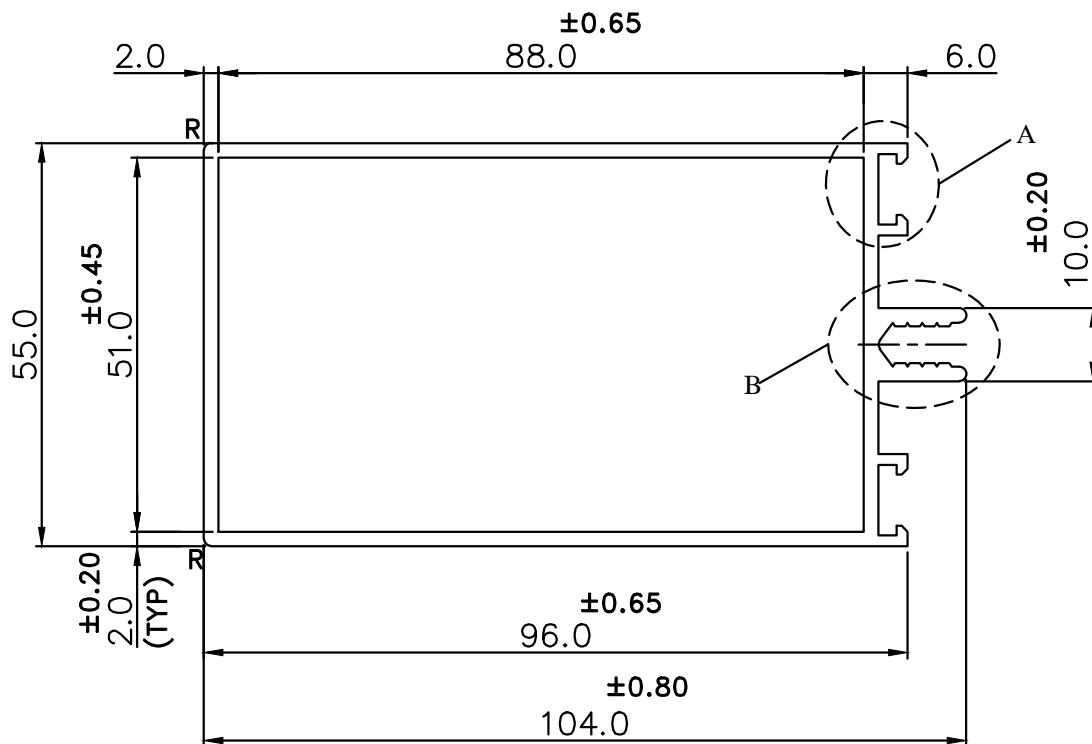
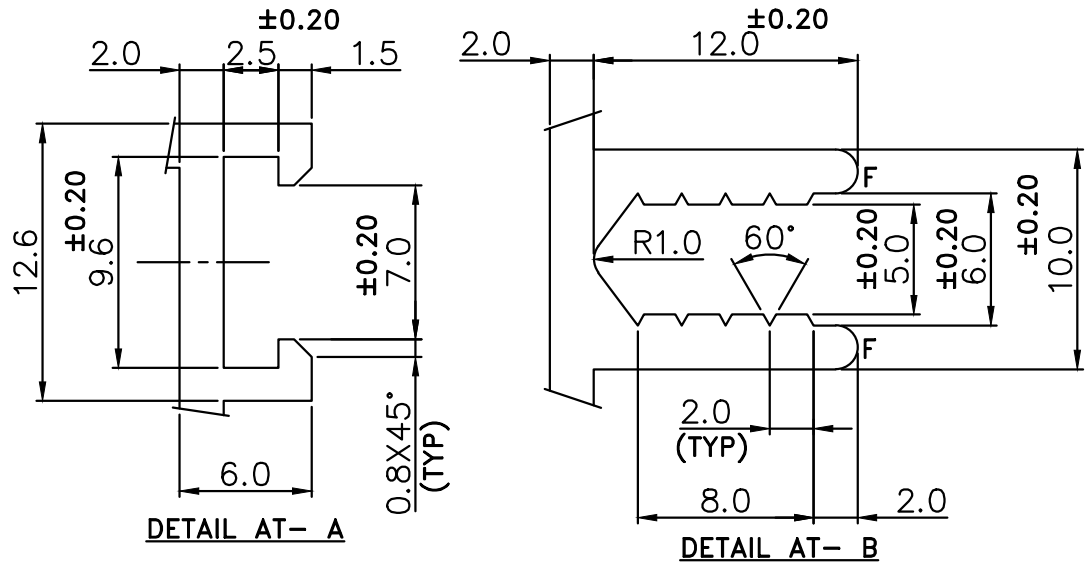


IAL-D-2781

36423



NOTE:-

R= 1.00R
F= Full Radius

TWIST = $\pm 1/4^\circ/300$ M.M./M.
STRAIGHTNESS = 1.50 M.M./MTR.
ANGULARITY = $\pm 1.5^\circ$



SYMBOL OF QUALITY
AN ISO 9001 COMPANY

JINDAL ALUMINIUM LTD.
BANGALORE-560073 (INDIA)

	NAME	DATE
DRAWN	PARVESH	06-01-2022
CHECKED		
APPROVED		
SCALE		1:1
AREA mm ²		670.00
PERIMETER mm.		381.85
WEIGHT kg/m		1.810
DRAWING No.	SECTION No.	
IAL-D-2781	-	
36423	36423	

- ALL DIMENSIONS ARE IN mm.
- ROUND OFF ALL SHARP CORNERS WITH 0.40 mm.
- TOLERANCES WILL BE AS PER IS:6477-1983 , UNLESS OTHERWISE SPECIFIED

PARTY'S NAME	-
PARTY'S DRAWING No.	AS PER DRAWING
ALLOY & TEMPER	6063 T6
DESCRIPTION	CURTAIN WALL SECTION