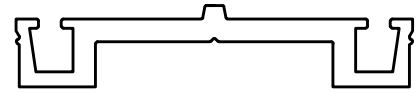
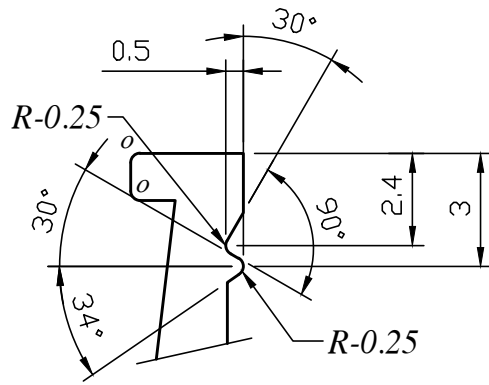


IAL-D-4168

36453

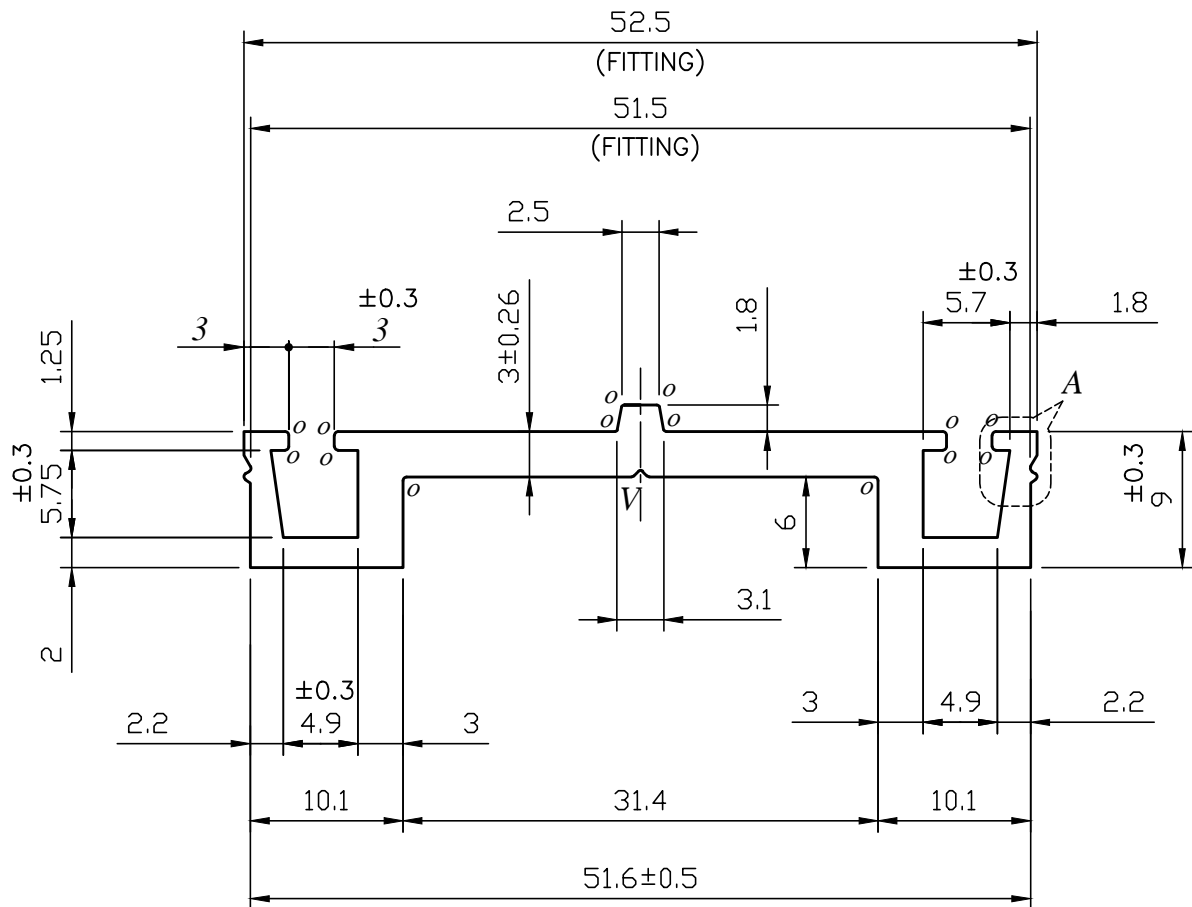


SCALE:1:1

Note:-

$$o = 0.25R$$

$$V = 0.4 \times 0.8 \times 90^\circ$$



SYMBOL OF QUALITY  
AN ISO 9001 COMPANY

**JINDAL ALUMINIUM LTD.**  
BANGALORE-560073 (INDIA)

	NAME	DATE
DRAWN	S.K.SHARMA	26-02-2022
CHECKED		
APPROVED		

1. ALL DIMENSIONS ARE IN mm.
2. ROUND OFF ALL SHARP CORNERS WITH 0.40 mm.
3. TOLERANCES WILL BE AS PER BS:EN-755-9 , UNLESS OTHERWISE SPECIFIED

SCALE	1:1&2:1
AREA mm <sup>2</sup>	215.0
PERIMETER mm.	174.6
WEIGHT kg/m	0.580

PARTY'S NAME M/S. MILLENINIUM CONSTRUCTION PVT.LTD.

DRAWING No. SECTION No.

PARTY'S DRAWING No. AS PER DRAWING

IAL-D-4168  
36453 36453

ALLOY & TEMPER 6063-T6

DESCRIPTION CURTAIN WALL SECTION