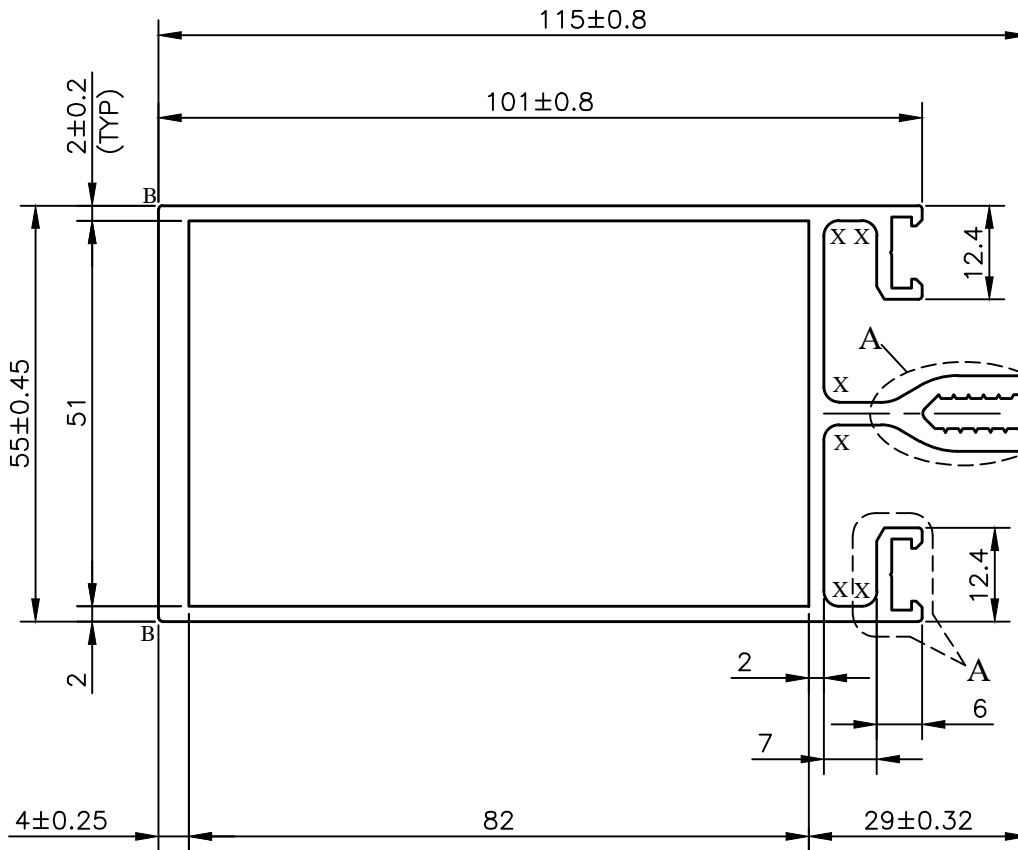
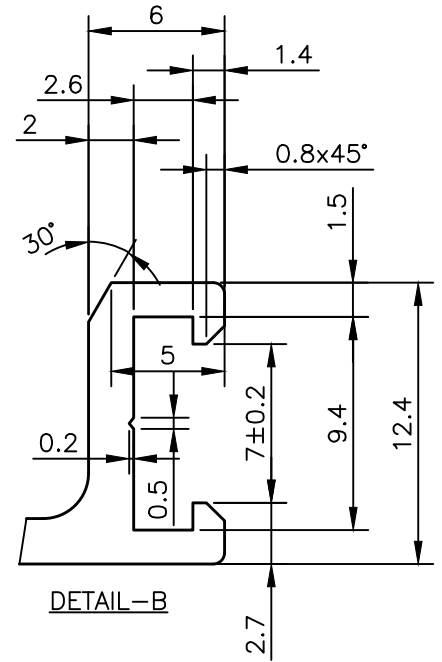
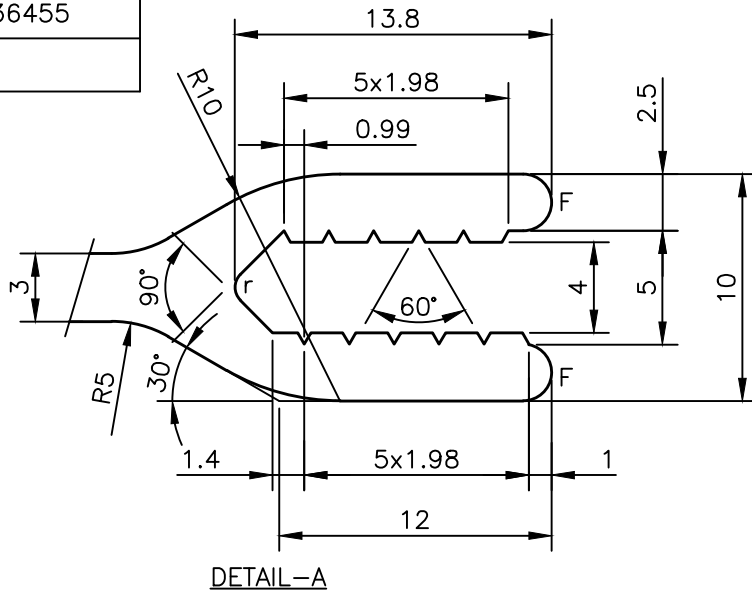


IAL-D-2904

36455



SYMBOL OF QUALITY
AN ISO 9001 COMPANY

JINDAL ALUMINIUM LTD.
BANGALORE-560073 (INDIA)

| | NAME | DATE |
|----------|------------|------------|
| DRAWN | S.K.SHARMA | 04-03-2022 |
| CHECKED | | |
| APPROVED | | |

1. ALL DIMENSIONS ARE IN mm.
2. ROUND OFF ALL SHARP CORNERS WITH 0.40 mm.
3. TOLERANCES WILL BE AS PER BS:EN-755-9 , UNLESS OTHERWISE SPECIFIED

| | |
|----------------------|-------------|
| SCALE | 1:1&3:1 |
| AREA mm ² | 898.0 |
| PERIMETER mm. | 487.2 |
| WEIGHT kg/m | 2.425 |
| DRAWING No. | SECTION No. |
| IAL-D-2904 | - |
| 36455 | 36455 |
| | |
| | |

PARTY'S NAME M/S.RAMAVATAR

PARTY'S DRAWING No. AS PER DRAWING

ALLOY & TEMPER 6063-T6

DESCRIPTION CURTAIN WALL SECTION