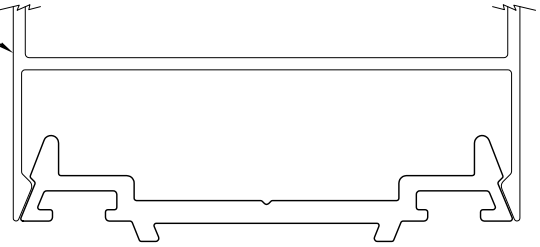
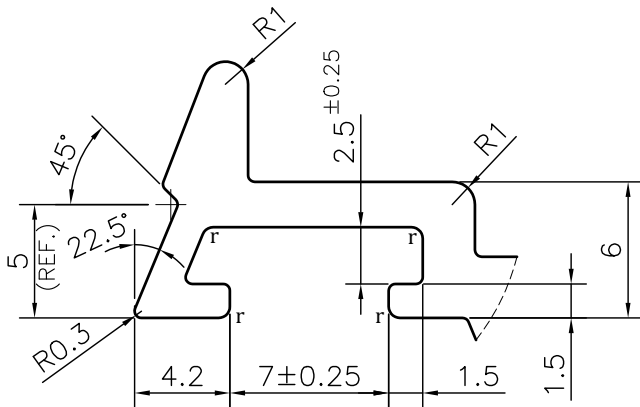
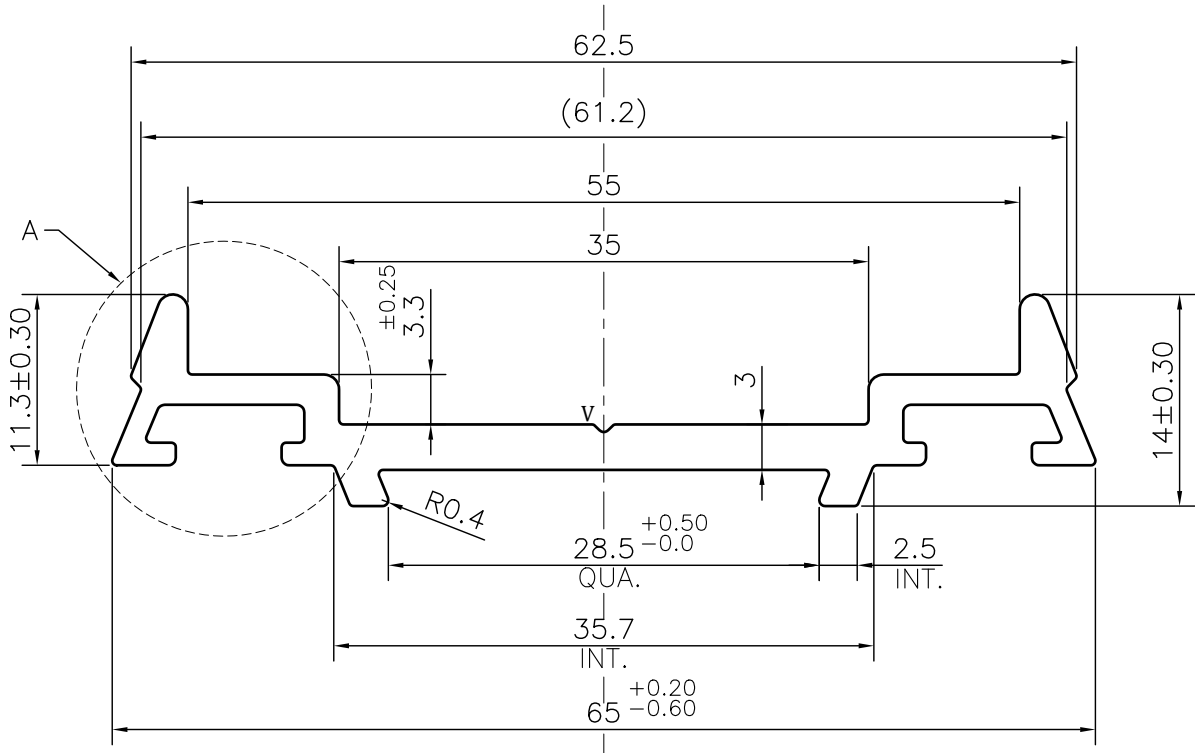


IAL-D-6625

36458

D6628
36459

SCALE 1:1

DETAIL A
SCALE 3:1**NOTE:-****r = 0.50 RADIUS (8 PLACES)****V = 0.50x90° V-GROOVE (1 PLACE)**

ROUND OFF ALL SHARP CORNERS WITH 0.30 mm.

1. STRAIGHTNESS= 1.7mm/M
2. TWIST= 1.7mm/M
3. ANGULARITY= $\pm 2^\circ$
4. FLATNESS= 0.007xWIDTH

SYMBOL OF QUALITY
AN ISO 9001 COMPANY**JINDAL ALUMINIUM LTD.**
BHIWADI-301019 (INDIA)

	NAME	DATE
DRAWN	ASHUTOSH	16-01-2024

CHECKED

APPROVED

SCALE

2:1

AREA mm²

241.918

PERIMETER mm.

197.75

WEIGHT kg/m

0.653

DRAWING No.

SECTION No.

IAL-D-6625

-

36458

36458

1. ALL DIMENSIONS ARE IN mm.
2. ROUND OFF ALL SHARP CORNERS WITH 0.40 mm.
3. TOLERANCES WILL BE AS PER BS:EN-755-9, UNLESS OTHERWISE SPECIFIED

PARTY'S NAME

CORPORATE DECORE

PARTY'S DRAWING No.

AS PER DRAWING

ALLOY & TEMPER

6063 T6

PRODUCT CODE:-055

HSN CODE:- 76042990

DESCRIPTION

CURTAIN WALL SECTION