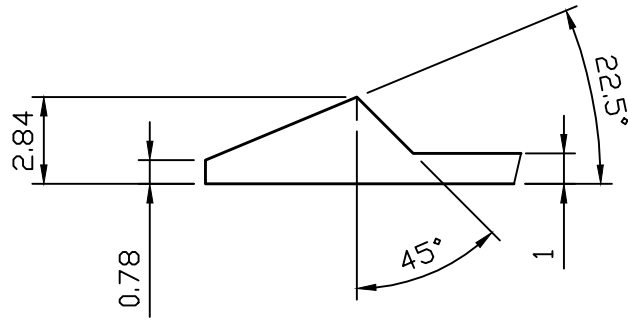
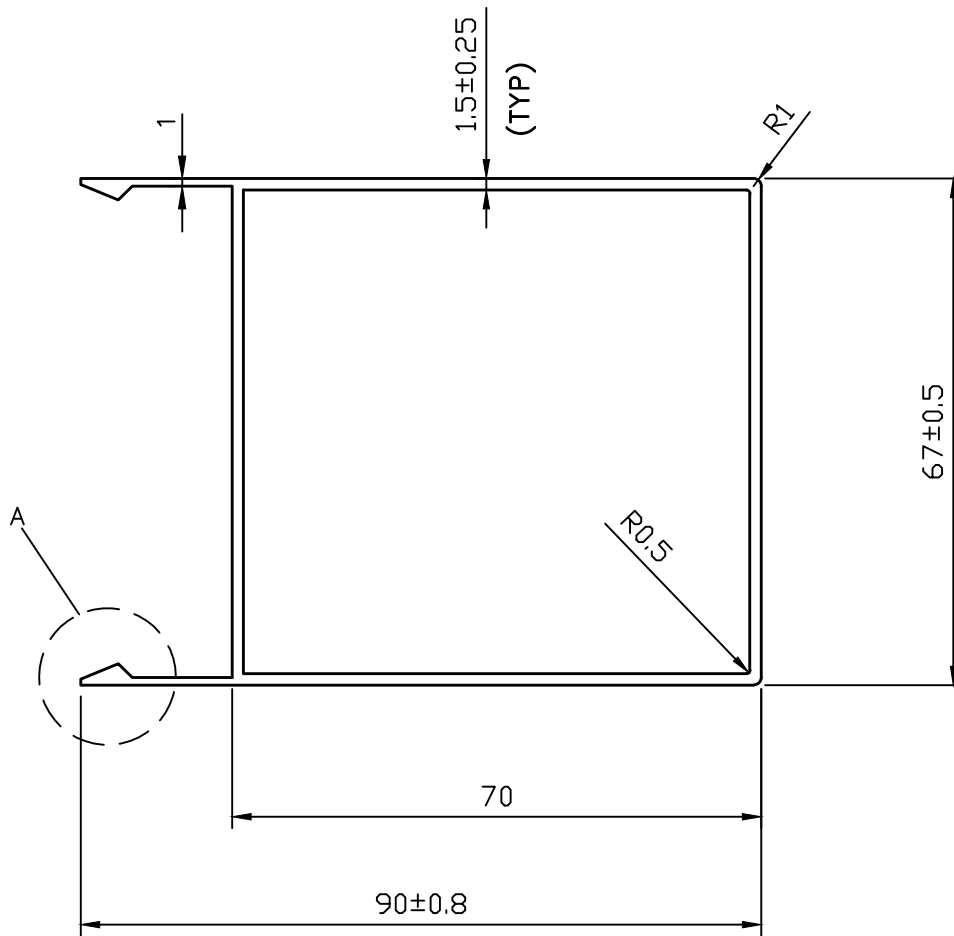


IAL-D-6627

36459



DETAIL AT =A



SYMBOL OF QUALITY
AN ISO 9001 COMPANY

JINDAL ALUMINIUM LTD.
BANGALORE-560073 (INDIA)

	NAME	DATE
DRAWN	S.K.SHARMA	09-03-2022
CHECKED		
APPROVED		

1. ALL DIMENSIONS ARE IN mm.
2. ROUND OFF ALL SHARP CORNERS WITH 0.40 mm.
3. TOLERANCES WILL BE AS PER BS:EN-755-9 , UNLESS OTHERWISE SPECIFIED

SCALE	1:1&5:1
AREA mm ²	453.06
PERIMETER mm.	355.05
WEIGHT kg/m	1.223

PARTY'S NAME M/S. CORPORATE DECORE

DRAWING No. SECTION No.

PARTY'S DRAWING No. AS PER DRAWING

IAL-D-6627 -

ALLOY & TEMPER 6063-T6

36459 36459

DESCRIPTION CURTAIN WALL SECTION