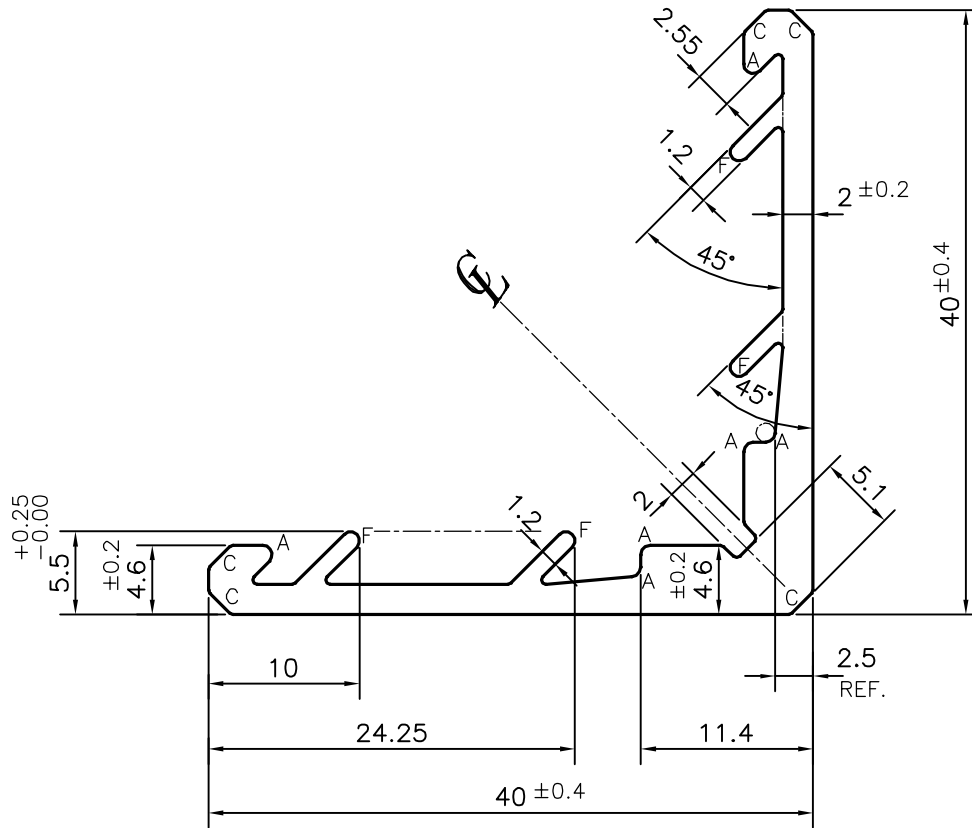
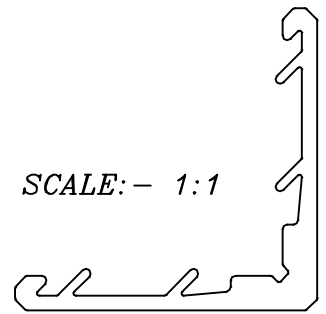


P-13394-2

S4049

38003

SCALE: - 1:1



A = RADIUS 0.63 mm (6 PLACES)
 C = CHAMFER 1.5x45° (5 PLACES)
 F = FULL RADIUS (4 PLACES)

TOLERANCES ON OVERALL WIDTHS & WIDTHS ACROSS FLATS OF BARS, & REGULAR SECTIONS

UPTO 6.40mm - ±0.20	UPTO 32.0mm - ±0.38	UPTO 120.0mm - ±0.85	1. STRAIGHTNESS=1.7mm/M 2. TWIST=1.7mm/M 3. ANGULARITY= ±2° 4. FLATNESS =0.007xWIDTH
UPTO 10.0mm - ±0.23	UPTO 50.0mm - ±0.46	UPTO 160.0mm - ±1.02	
UPTO 12.0mm - ±0.25	UPTO 60.0mm - ±0.53	UPTO 200.0mm - ±1.14	
UPTO 16.0mm - ±0.28	UPTO 80.0mm - ±0.69	UPTO 250.0mm - ±1.40	
UPTO 25.0mm - ±0.30	UPTO 100.0mm - ±0.75	UPTO 300.0mm - ±1.65	



SYMBOL OF QUALITY
AN ISO 9001 COMPANY

JINDAL ALUMINIUM LTD.
 BANGALORE-560073 (INDIA)

	NAME	DATE
DRAWN	PARVESH	24-02-2014
CHECKED		
APPROVED	S.S.GARG	01-03-2014

1. ALL DIMENSIONS ARE IN mm.
2. ROUND OFF ALL SHARP CORNERS WITH 0.30 mm.
3. TOLERANCES WILL BE AS PER IS:3965-1981, UNLESS OTHERWISE SPECIFIED

SCALE	2:1
AREA mm ²	235.688
PERIMETER mm.	198.716
WEIGHT kg/m	0.636

PARTY'S NAME	SHRI RAGHAVENDRA ENGG. WORKS, BANGALORE
PARTY'S DRAWING No.	4 679 02 00120
ALLOY & TEMPER	HE9 P
DESCRIPTION	SOLAR SECTION

DRAWING No.	SECTION No.
P-13394-2	-
S4049	S4049
38003	38003