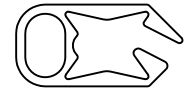


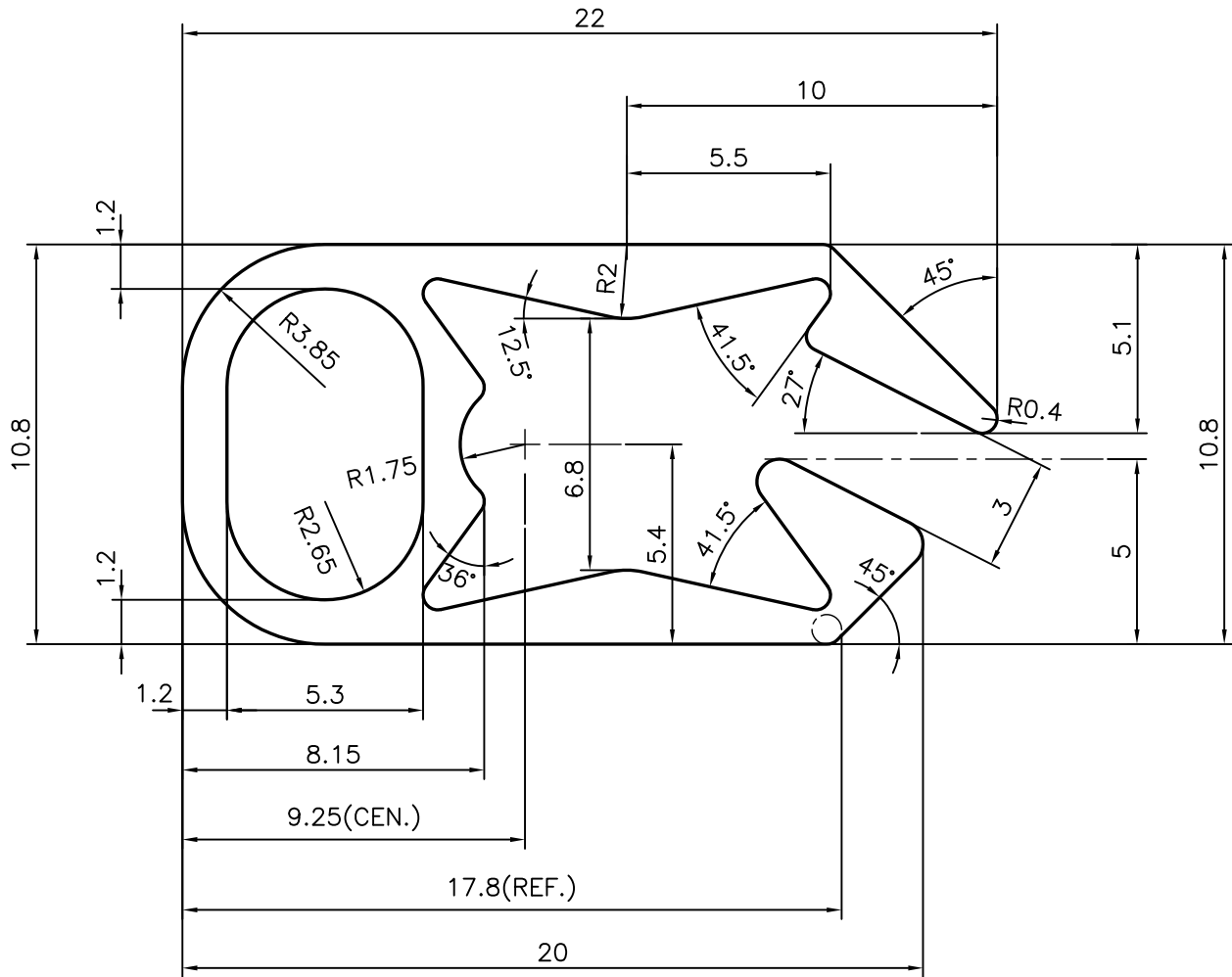
P-13498-1

S4083

38506



1:1



SYMBOL OF QUALITY  
AN ISO 9001 COMPANY

**JINDAL ALUMINIUM LTD.**  
BANGALORE-560073 (INDIA)

	NAME	DATE
DRAWN	J.P.KAUSHIK	07-04-2014
CHECKED		
APPROVED	S.S.GARG	19-04-2014
SCALE		5:1
AREA mm <sup>2</sup>		84.58
PERIMETER mm.		102.414
WEIGHT kg/m		0.228
DRAWING No.	SECTION No.	
P-13498-1	-	
S4083	S4083	
38506	38506	

1. ALL DIMENSIONS ARE IN mm.
2. ROUND OFF ALL SHARP CORNERS WITH 0.40 mm.
3. TOLERANCES WILL BE AS PER IS:6477-1983, UNLESS OTHERWISE SPECIFIED

PARTY'S NAME	ACCUMAX INTERIOR PRODUCTS PVT. LTD., JAMNAGAR
PARTY'S DRAWING No.	AS PER DRAWING & REQUIREMENT.
ALLOY & TEMPER	HE9 WP
DESCRIPTION	ARCHITECTURAL SECTION