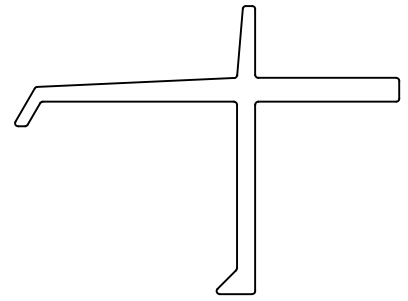


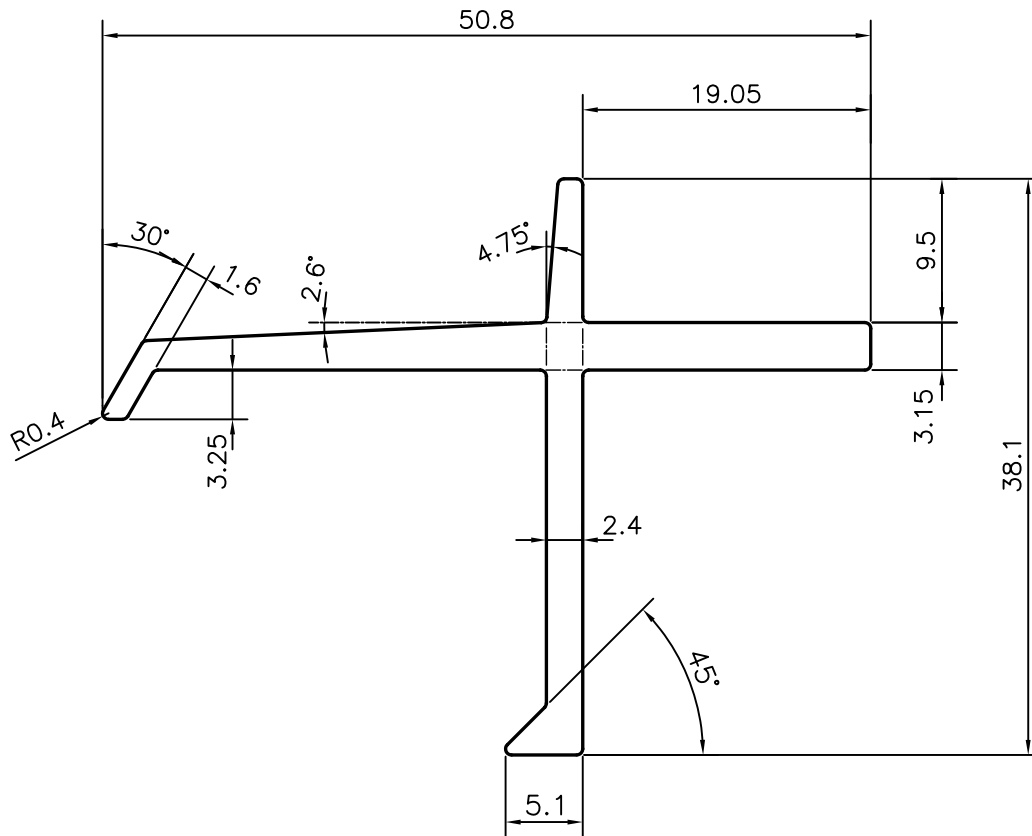
P-13550-1

S4103

38510



SCALE: - 1:1



TOLERANCES ON OVERALL WIDTHS & WIDTHS ACROSS FLATS OF BARS, & REGULAR SECTIONS

UPTO 6.40mm - ± 0.20
 UPTO 10.0mm - ± 0.23
 UPTO 12.0mm - ± 0.25
 UPTO 16.0mm - ± 0.28
 UPTO 25.0mm - ± 0.30

UPTO 32.0mm - ± 0.38
 UPTO 50.0mm - ± 0.46
 UPTO 60.0mm - ± 0.53
 UPTO 80.0mm - ± 0.69
 UPTO 100.0mm - ± 0.75

UPTO 120.0mm - ± 0.85
 UPTO 160.0mm - ± 1.02
 UPTO 200.0mm - ± 1.14
 UPTO 250.0mm - ± 1.40
 UPTO 300.0mm - ± 1.65

1. STRAIGHTNESS=1.7mm/M
 2. TWIST=1.7mm/M
 3. ANGULARITY= $\pm 2^\circ$
 4. FLATNESS = $0.007 \times \text{WIDTH}$



SYMBOL OF QUALITY
 AN ISO 9001 COMPANY

JINDAL ALUMINIUM LTD.
 BANGALORE-560073 (INDIA)

	NAME	DATE
DRAWN	PARVESH	02-05-2014
CHECKED		
APPROVED	S.S.GARG	13-05-2014

- ALL DIMENSIONS ARE IN mm.
- ROUND OFF ALL SHARP CORNERS WITH 0.40 mm.
- TOLERANCES WILL BE AS PER IS:3965-1981, UNLESS OTHERWISE SPECIFIED

SCALE	2:1
AREA mm ²	227.574
PERIMETER mm.	180.851
WEIGHT kg/m	0.614
DRAWING No.	SECTION No.
P-13550-1	-
S4103	S4103
38510	38510

PARTY'S NAME SAVEER BIOTECH LTD., NOIDA

PARTY'S DRAWING No. SBBN-24 & REQUIREMENT

ALLOY & TEMPER 6063 T6

DESCRIPTION ARCHITECTURAL SECTION