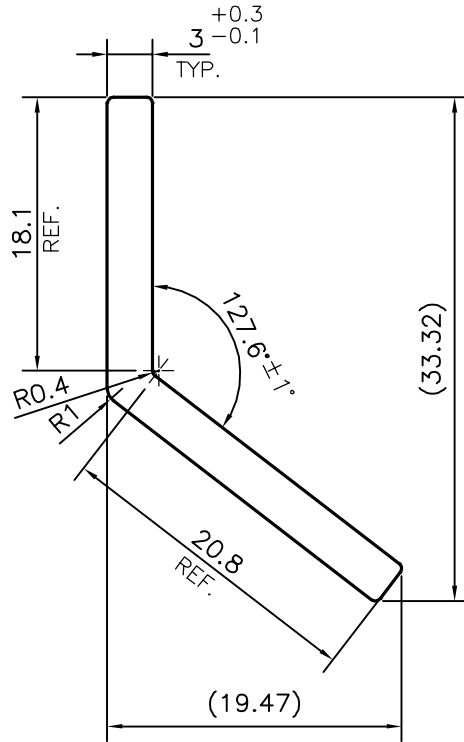
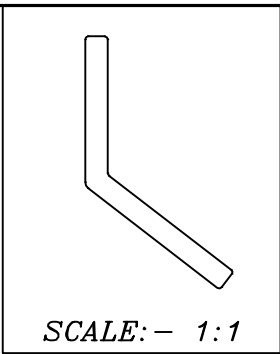



P-15268-1
S4769
38545



TOLERANCE ON THICKNESS = $\begin{matrix} +0.3 \\ -0.1 \end{matrix}$

TOLERANCES ON OVERALL WIDTHS & WIDTHS ACROSS FLATS OF BARS, & REGULAR SECTIONS

UPTO 6.40mm - ±0.20	UPTO 32.0mm - ±0.38	UPTO 120.0mm - ±0.85	1. STRAIGHTNESS=1.7mm/M 2. TWIST=1.7mm/M 3. ANGULARITY= ±2° 4. FLATNESS =0.007xWIDTH
UPTO 10.0mm - ±0.23	UPTO 50.0mm - ±0.46	UPTO 160.0mm - ±1.02	
UPTO 12.0mm - ±0.25	UPTO 60.0mm - ±0.53	UPTO 200.0mm - ±1.14	
UPTO 16.0mm - ±0.28	UPTO 80.0mm - ±0.69	UPTO 250.0mm - ±1.40	
UPTO 25.0mm - ±0.30	UPTO 100.0mm - ±0.75	UPTO 300.0mm - ±1.65	

 SYMBOL OF QUALITY AN ISO 9001 COMPANY	JINDAL ALUMINIUM LTD. BANGALORE-560073 (INDIA)	DRAWN	NAME	DATE
		CHECKED	PARVESH	09-11-2015
1. ALL DIMENSIONS ARE IN mm. 2. ROUND OFF ALL SHARP CORNERS WITH 0.40 mm. 3. TOLERANCES WILL BE AS PER IS:3965-1981 , UNLESS OTHERWISE SPECIFIED		APPROVED	S.S.GARG	11-12-2015
		SCALE		2:1
PARTY'S NAME OMKAR REALTORS & DEVELOPERS PVT. LTD., MUMBAI		AREA mm ²		122.143
		PERIMETER mm.		86.756
PARTY'S DRAWING No. AP-1570		WEIGHT kg/m		0.330
		DRAWING No.	SECTION No.	
ALLOY & TEMPER 6063 T6		P-15268-1		-
		S4769		S4769
DESCRIPTION MISC. ANGLE		38545		38545