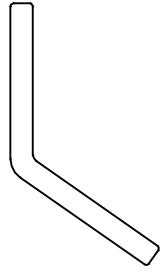


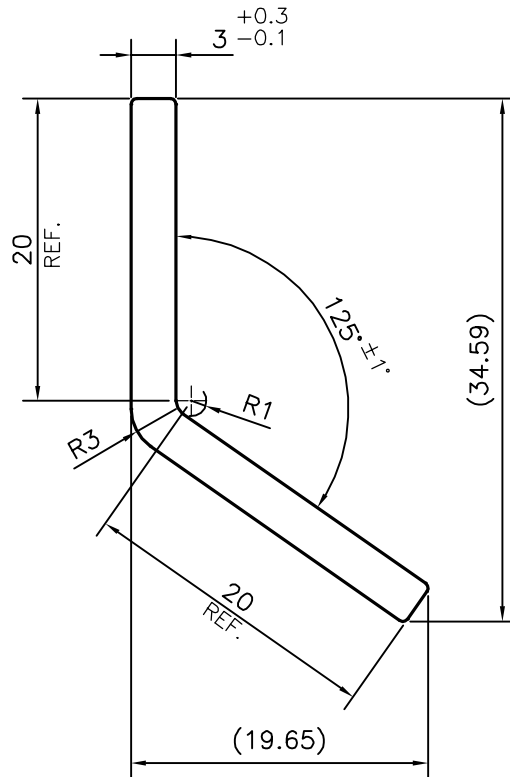
P-15304

S4777

38552



SCALE: - 1:1



TOLERANCE ON THICKNESS =  $\begin{matrix} +0.3 \\ -0.1 \end{matrix}$

## TOLERANCES ON OVERALL WIDTHS &amp; WIDTHS ACROSS FLATS OF BARS, &amp; REGULAR SECTIONS

|                          |                           |                           |   |
|--------------------------|---------------------------|---------------------------|---|
| UPTO 6.40mm - $\pm 0.20$ | UPTO 32.0mm - $\pm 0.38$  | UPTO 120.0mm - $\pm 0.85$ | 1. STRAIGHTNESS=1.7mm/M<br>2. TWIST=1.7mm/M<br>3. ANGULARITY= $\pm 2^\circ$<br>4. FLATNESS =0.007xWIDTH |
| UPTO 10.0mm - $\pm 0.23$ | UPTO 50.0mm - $\pm 0.46$  | UPTO 160.0mm - $\pm 1.02$ |   |
| UPTO 12.0mm - $\pm 0.25$ | UPTO 60.0mm - $\pm 0.53$  | UPTO 200.0mm - $\pm 1.14$ |   |
| UPTO 16.0mm - $\pm 0.28$ | UPTO 80.0mm - $\pm 0.69$  | UPTO 250.0mm - $\pm 1.40$ |   |
| UPTO 25.0mm - $\pm 0.30$ | UPTO 100.0mm - $\pm 0.75$ | UPTO 300.0mm - $\pm 1.65$ |   |



SYMBOL OF QUALITY  
AN ISO 9001 COMPANY

**JINDAL ALUMINIUM LTD.**  
BANGALORE-560073 (INDIA)

|          | NAME     | DATE       |
|----------|----------|------------|
| DRAWN    | PARVESH  | 10-11-2015 |
| CHECKED  |          |            |
| APPROVED | S.S.GARG | 11-12-2015 |

- ALL DIMENSIONS ARE IN mm.
- ROUND OFF ALL SHARP CORNERS WITH 0.40 mm.
- TOLERANCES WILL BE AS PER IS:3965-1981, UNLESS OTHERWISE SPECIFIED

|                      |         |
|----------------------|---------|
| SCALE                | 2:1     |
| AREA mm <sup>2</sup> | 127.346 |
| PERIMETER mm.        | 90.194  |
| WEIGHT kg/m          | 0.344   |

|                     |   |
|---------------------|---|
| PARTY'S NAME        | OMKAR REALTORS & DEVELOPERS PVT. LTD., MUMBAI |
| PARTY'S DRAWING No. | CM-11   |
| ALLOY & TEMPER      | 6063 T6                                       |
| DESCRIPTION         | MISC. ANGLE                                   |

| DRAWING No. | SECTION No. |
|-------------|-------------|
| P-15304     | -           |
| S4777       | S4777       |
| 38552       | 38552       |