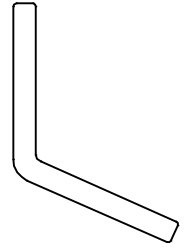


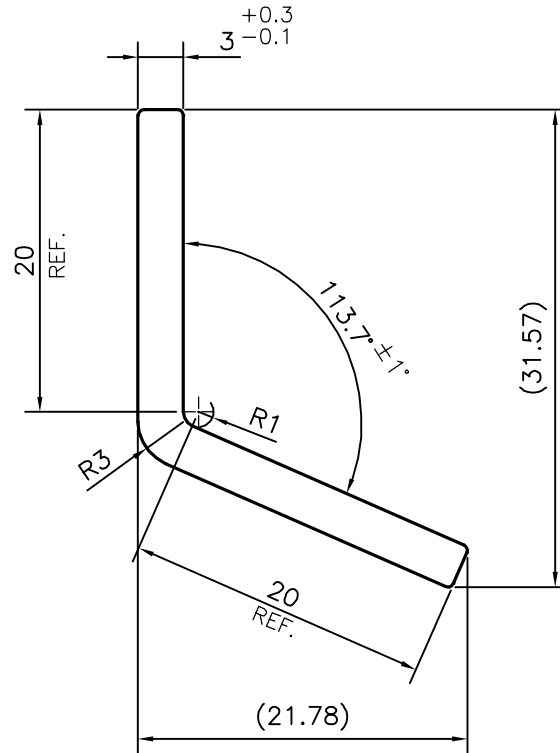
P-15305

S4778

38553



SCALE: - 1:1



☞ TOLERANCE ON THICKNESS = $\begin{matrix} +0.3 \\ -0.1 \end{matrix}$

TOLERANCES ON OVERALL WIDTHS & WIDTHS ACROSS FLATS OF BARS, & REGULAR SECTIONS

UPTO 6.40mm - ±0.20	UPTO 32.0mm - ±0.38	UPTO 120.0mm - ±0.85	1. STRAIGHTNESS=1.7mm/M 2. TWIST=1.7mm/M 3. ANGULARITY= ±2° 4. FLATNESS =0.007xWIDTH
UPTO 10.0mm - ±0.23	UPTO 50.0mm - ±0.46	UPTO 160.0mm - ±1.02	
UPTO 12.0mm - ±0.25	UPTO 60.0mm - ±0.53	UPTO 200.0mm - ±1.14	
UPTO 16.0mm - ±0.28	UPTO 80.0mm - ±0.69	UPTO 250.0mm - ±1.40	
UPTO 25.0mm - ±0.30	UPTO 100.0mm - ±0.75	UPTO 300.0mm - ±1.65	



SYMBOL OF QUALITY
AN ISO 9001 COMPANY

JINDAL ALUMINIUM LTD.
BANGALORE-560073 (INDIA)

	NAME	DATE
DRAWN	PARVESH	10-11-2015
CHECKED		
APPROVED	S.S.GARG	11-12-2015

1. ALL DIMENSIONS ARE IN mm.
2. ROUND OFF ALL SHARP CORNERS WITH 0.40 mm.
3. TOLERANCES WILL BE AS PER IS:3965-1981, UNLESS OTHERWISE SPECIFIED

SCALE	2:1
AREA mm ²	129.063
PERIMETER mm.	91.248
WEIGHT kg/m	0.348

PARTY'S NAME	OMKAR REALTORS & DEVELOPERS PVT. LTD., MUMBAI
PARTY'S DRAWING No.	CM-12
ALLOY & TEMPER	6063 T6
DESCRIPTION	MISC. ANGLE

DRAWING No.	SECTION No.
P-15305	-
S4778	S4778
38553	38553