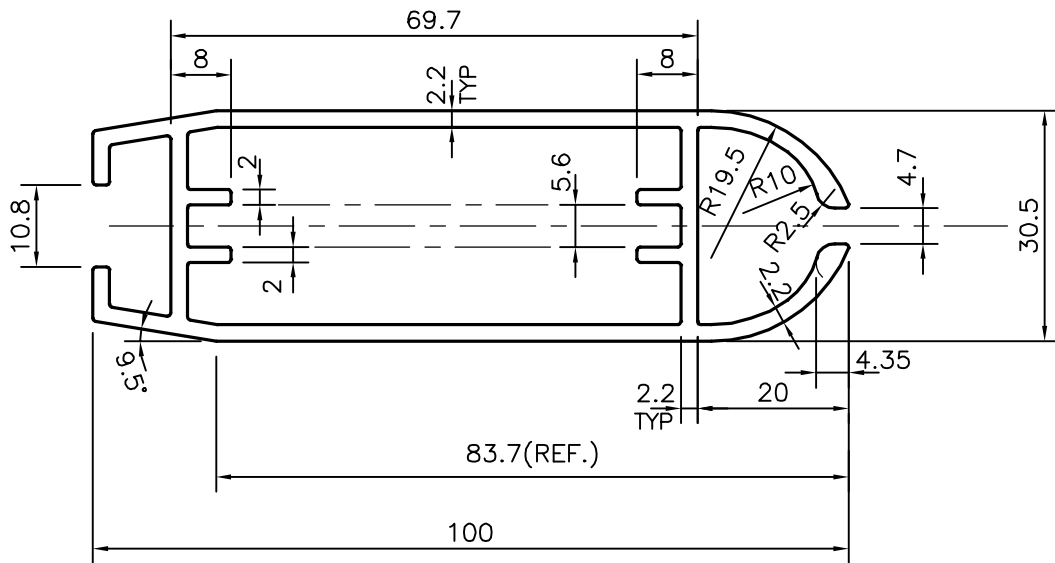



P-15502
X1959
38570



 SYMBOL OF QUALITY AN ISO 9002 COMPANY	JINDAL ALUMINIUM LTD. BANGALORE-560073 (INDIA)	NAME		DATE
		DRAWN	J.P.KAUSHIK	13-01-2016
1. ALL DIMENSIONS ARE IN mm. 2. ROUND OFF ALL SHARP CORNERS WITH 0.40 mm. 3. TOLERANCES WILL BE AS PER IS:6477-1983 UNLESS OTHERWISE SPECIFIED		CHECKED		
		APPROVED		S.S.GARG
PARTY'S NAME		SCALE		1:1
		AREA mm ²		647.577
PARTY'S DRAWING No.		PERIMETER mm.		354.499
		WEIGHT kg/m		1.748
ALLOY & TEMPER		DRAWING No.		SECTION No.
		P-15502		-
DESCRIPTION		X1959		X1959
		38570		38570