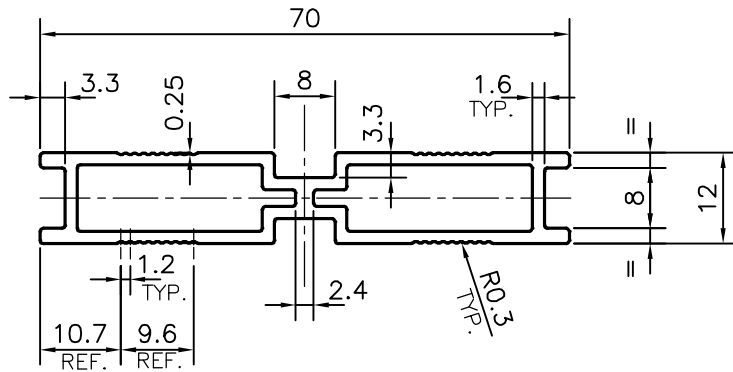


P-13824-2

X1784

38609



## TOLERANCES ON OVERALL WIDTHS &amp; WIDTHS ACROSS FLATS OF BARS, &amp; REGULAR SECTIONS

UPTO 6.40mm - $\pm 0.20$	UPTO 32.0mm - $\pm 0.38$	UPTO 120.0mm - $\pm 0.85$	1. STRAIGHTNESS=1.7mm/M 2. TWIST=1.7mm/M 3. ANGULARITY= $\pm 2^\circ$ 4. FLATNESS =0.007xWIDTH
UPTO 10.0mm - $\pm 0.23$	UPTO 50.0mm - $\pm 0.46$	UPTO 160.0mm - $\pm 1.02$	
UPTO 12.0mm - $\pm 0.25$	UPTO 60.0mm - $\pm 0.53$	UPTO 200.0mm - $\pm 1.14$	
UPTO 16.0mm - $\pm 0.28$	UPTO 80.0mm - $\pm 0.69$	UPTO 250.0mm - $\pm 1.40$	
UPTO 25.0mm - $\pm 0.30$	UPTO 100.0mm - $\pm 0.75$	UPTO 300.0mm - $\pm 1.65$	



SYMBOL OF QUALITY  
AN ISO 9001 COMPANY

**JINDAL ALUMINIUM LTD.**  
BANGALORE-560073 (INDIA)

	NAME	DATE
DRAWN	PARVESH	13-08-2014
CHECKED		
APPROVED	S.S.GARG	20-09-2014

1. ALL DIMENSIONS ARE IN mm.
2. ROUND OFF ALL SHARP CORNERS WITH 0.40 mm.
3. TOLERANCES WILL BE AS PER IS:6477-1983 , UNLESS OTHERWISE SPECIFIED

SCALE	1:1
AREA mm <sup>2</sup>	278.574
PERIMETER mm.	191.19
WEIGHT kg/m	0.752

PARTY'S NAME	BHANSALI ALUMINIUM CO., MUMBAI	DRAWING No.	P-13824-2	SECTION No.	-
PARTY'S DRAWING No.	5		X1784		X1784
ALLOY & TEMPER	6063 T6		38609		38609
DESCRIPTION	ARCHITECTURAL SECTION				