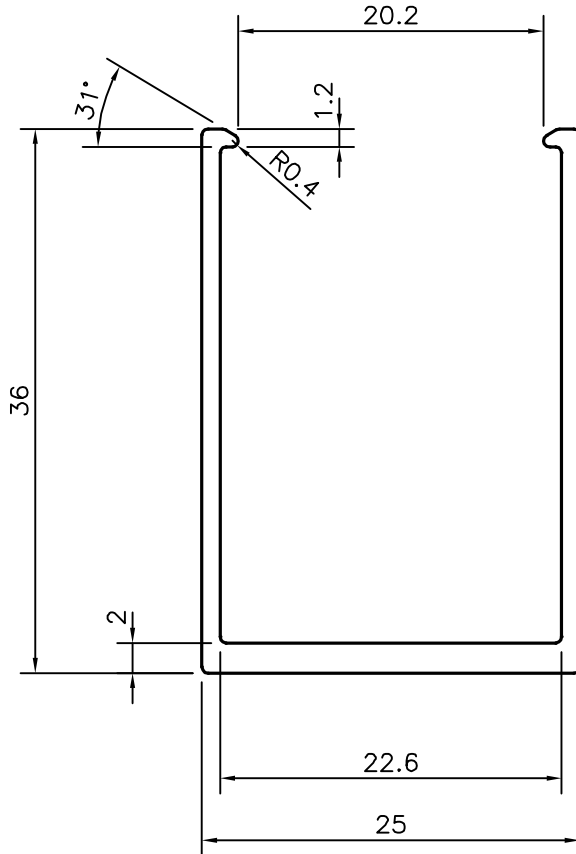
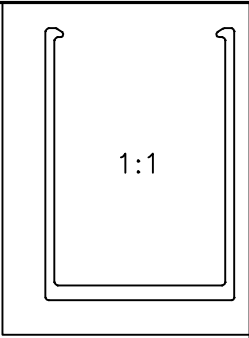
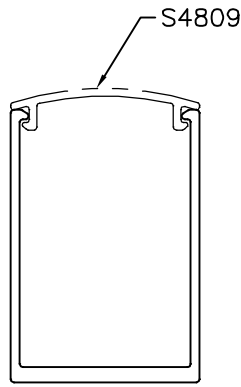



P-15445
S4808
38625



 SYMBOL OF QUALITY AN ISO 9002 COMPANY	<b>JINDAL ALUMINIUM LTD.</b> BANGALORE-560073 (INDIA)	DRAWN	J.P.KAUSHIK	DATE	19-12-2015
		CHECKED			
1. ALL DIMENSIONS ARE IN mm. 2. ROUND OFF ALL SHARP CORNERS WITH 0.40 mm. 3. TOLERANCES WILL BE AS PER IS:3965-1981 UNLESS OTHERWISE SPECIFIED		APPROVED	S.S.GARG	28-12-2015	
		SCALE		2:1	
PARTY'S NAME FULL SPACE INTERIORS, MUMBAI		AREA mm <sup>2</sup>		133.845	
		PERIMETER mm.		192.162	
PARTY'S DRAWING No. FSI-AL-DIE-03		WEIGHT kg/m		0.361	
		DRAWING No.	P-15445	SECTION No.	-
ALLOY & TEMPER 6063 T6		S4808		S4808	
		38625		38625	
DESCRIPTION CHANNEL-MISC.					