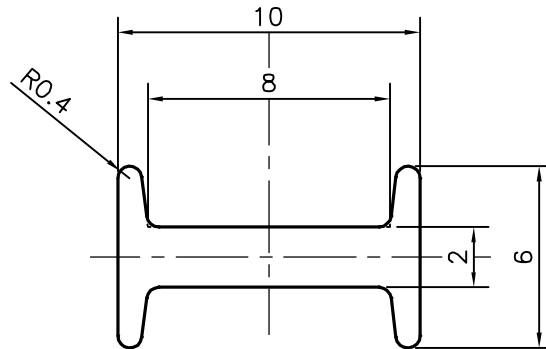
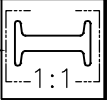


P-15537

X1962

38626

EXPOSED SURFACE



SYMBOL OF QUALITY
AN ISO 9001 COMPANY

JINDAL ALUMINIUM LTD.
BANGALORE-560073 (INDIA)

	NAME	DATE
DRAWN	J.P.KAUSHIK	25-01-2016
CHECKED		
APPROVED	S.S.GARG	01-02-2016
SCALE		4:1
AREA mm ²		26.878
PERIMETER mm.		37.363
WEIGHT kg/m		0.073
DRAWING No.		SECTION No.

1. ALL DIMENSIONS ARE IN mm.
2. ROUND OFF ALL SHARP CORNERS WITH 0.40 mm.
3. TOLERANCES WILL BE AS PER, IS:3965-1981 UNLESS OTHERWISE SPECIFIED

PARTY'S NAME	HYTEK INTERIOR PRODUCTS., BANGALORE	P-15537	-
PARTY'S DRAWING No.	AS PER AutoCAD DRAWING	X1962	X1962
ALLOY & TEMPER	HE9 WP	38626	38626
DESCRIPTION	MISC. SECTION		