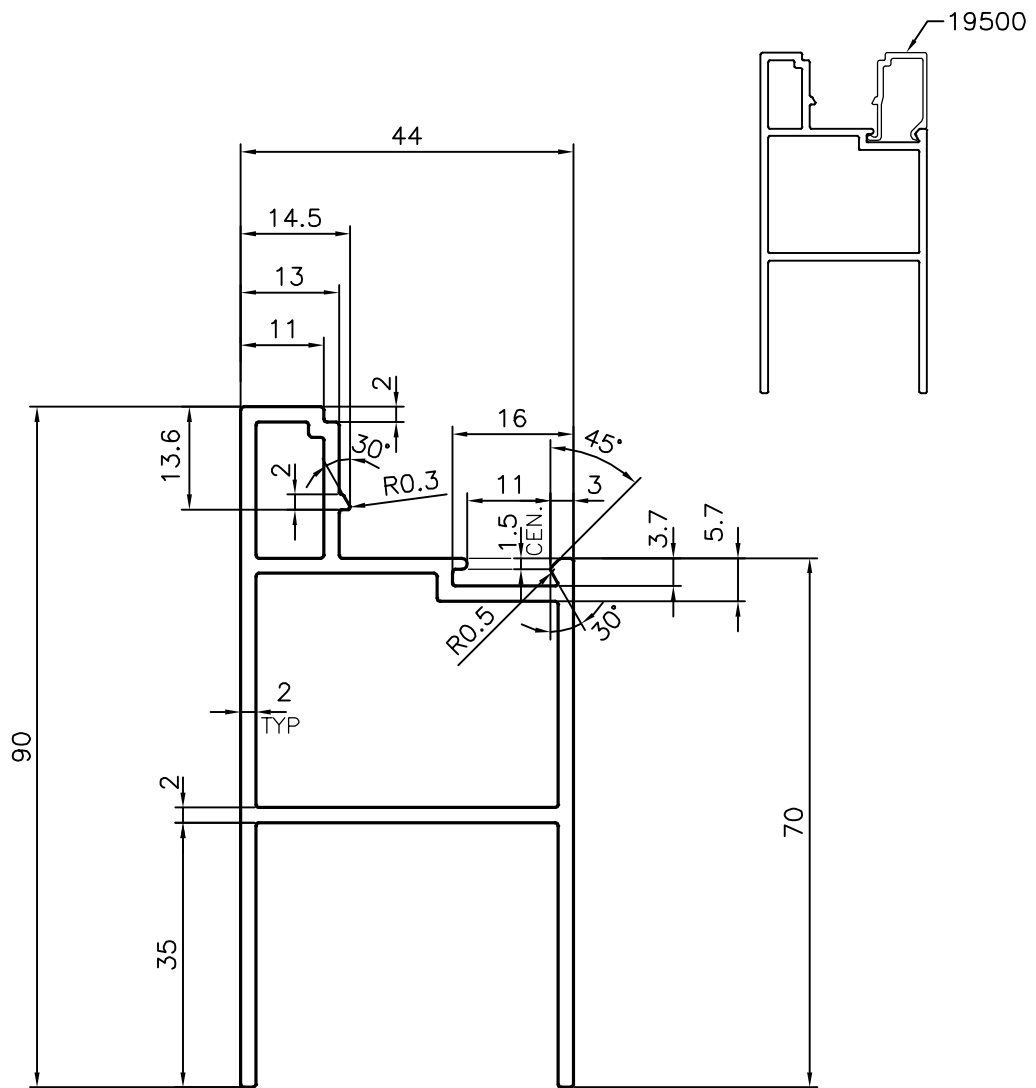


P-15541

X1966

38629



SYMBOL OF QUALITY
AN ISO 9001 COMPANY

JINDAL ALUMINIUM LTD.
BANGALORE-560073 (INDIA)

	NAME	DATE
DRAWN	J.P.KAUSHIK	25-01-2016
CHECKED		
APPROVED	S.S.GARG	01-02-2016

1. ALL DIMENSIONS ARE IN mm.
2. ROUND OFF ALL SHARP CORNERS WITH 0.40 mm.
3. TOLERANCES WILL BE AS PER, IS:6477-1983 UNLESS OTHERWISE SPECIFIED

SCALE	1:1
AREA mm ²	552.32
PERIMETER mm.	348.502
WEIGHT kg/m	1.491

PARTY'S NAME	HYTEK INTERIOR PRODUCTS., BANGALORE	DRAWING No.	P-15541	SECTION No.	-
PARTY'S DRAWING No.	AS PER AutoCAD DRAWING	X1966	X1966		
ALLOY & TEMPER	HE9 WP	38629	38629		
DESCRIPTION	MISC. SECTION				