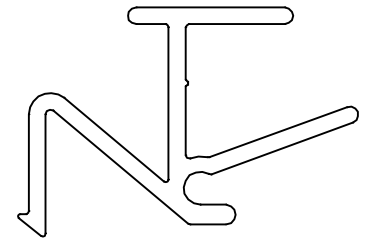


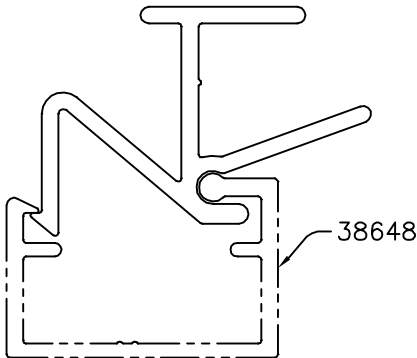
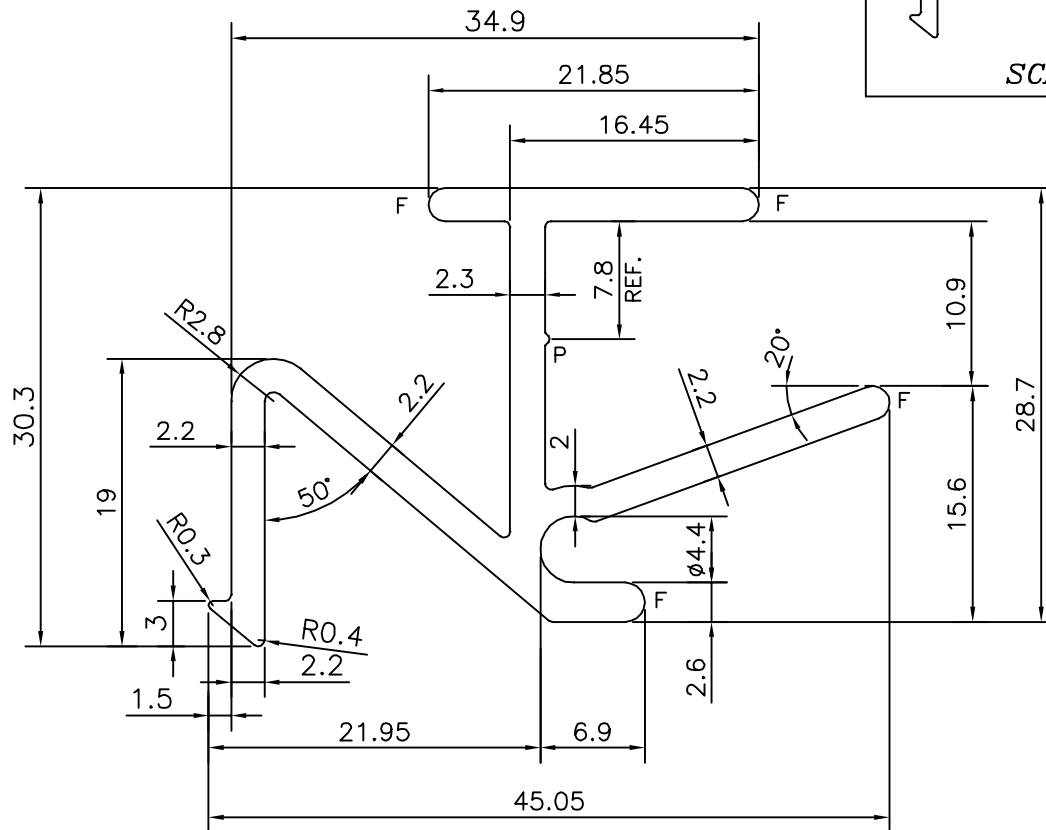
P-15971

S4979

38649



SCALE: - 1:1



F = FULL RADIUS (4 PLACES)
P = PIP 0.3x90° (1 PLACE)

TOLERANCES ON OVERALL WIDTHS & WIDTHS ACROSS FLATS OF BARS, & REGULAR SECTIONS

UPTO 6.40mm - ± 0.20
UPTO 10.0mm - ± 0.23
UPTO 12.0mm - ± 0.25
UPTO 16.0mm - ± 0.28
UPTO 25.0mm - ± 0.30

UPTO 32.0mm - ± 0.38
UPTO 50.0mm - ± 0.46
UPTO 60.0mm - ± 0.53
UPTO 80.0mm - ± 0.69
UPTO 100.0mm - ± 0.75

UPTO 120.0mm - ± 0.85
UPTO 160.0mm - ± 1.02
UPTO 200.0mm - ± 1.14
UPTO 250.0mm - ± 1.40
UPTO 300.0mm - ± 1.65

1. STRAIGHTNESS=1.7mm/M
2. TWIST=1.7mm/M
3. ANGULARITY= $\pm 2^\circ$
4. FLATNESS =0.007xWIDTH



SYMBOL OF QUALITY
AN ISO 9001 COMPANY

JINDAL ALUMINIUM LTD.
BANGALORE-560073 (INDIA)

	NAME	DATE
DRAWN	PARVESH	21-06-2016
CHECKED		
APPROVED	S.S. GARG	23-06-2016
SCALE		2:1
AREA mm ²		260.422
PERIMETER mm.		233.345
WEIGHT kg/m		0.703
DRAWING No.	SECTION No.	

1. ALL DIMENSIONS ARE IN mm.
2. ROUND OFF ALL SHARP CORNERS WITH 0.40 mm.
3. TOLERANCES WILL BE AS PER IS:3965-1981, UNLESS OTHERWISE SPECIFIED

PARTY'S NAME	WIENERBERGER INDIA PVT. LIMITED, BANGALORE
PARTY'S DRAWING No.	AS PER PROPOSAL DRAWING
ALLOY & TEMPER	HE9 WP
DESCRIPTION	ARCHITECTURAL SECTION

P-15971	-
S4979	S4979
38649	38649