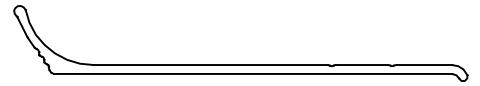


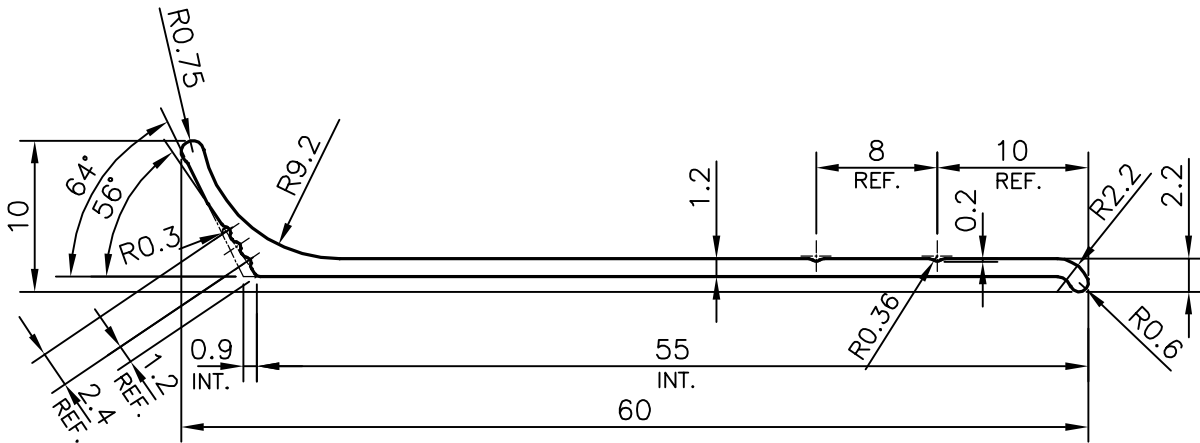
P-18349

S5900

38742



SCALE: - 1:1



SYMBOL OF QUALITY
AN ISO 9001 COMPANY

JINDAL ALUMINIUM LTD.
BANGALORE-560073 (INDIA)

	NAME	DATE
DRAWN	PARVESH	26-06-2018
CHECKED		
APPROVED	B.NATARAJA	29-06-2018
SCALE		2:1
AREA	mm ²	80.12
PERIMETER	mm.	131.153
WEIGHT	kg/m	0.216
DRAWING No.	SECTION No.	
P-18349	-	
S5900	S5900	
38742	38742	

1. ALL DIMENSIONS ARE IN mm.
2. ROUND OFF ALL SHARP CORNERS WITH 0.4 mm.
3. TOLERANCES WILL BE AS PER IS:3965-1981 , UNLESS OTHERWISE SPECIFIED

PARTY'S NAME	ALUCRAFT, BANGALORE
PARTY'S DRAWING No.	AS PER AUTOCAD DRAWING-03 (60 mm.)
ALLOY & TEMPER	6063 T6
DESCRIPTION	ARCHITECTURAL SECTION-SKIRTING