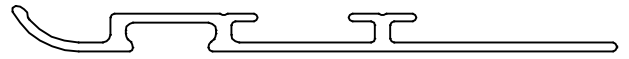


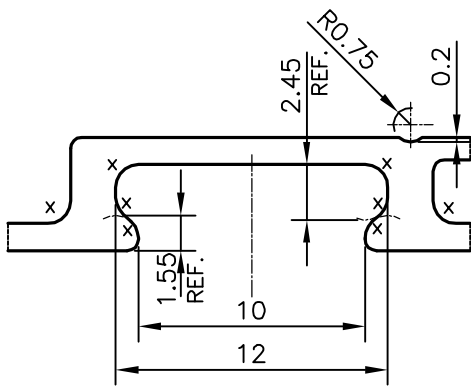
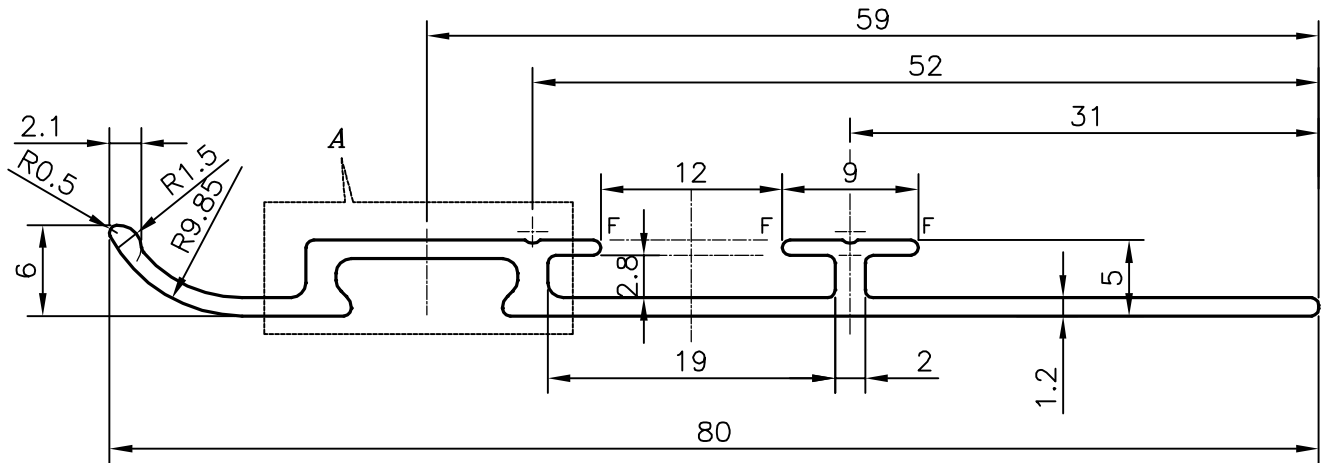
P-18352

S5903

38745



SCALE:- 1:1



DETAIL OF "A"
SCALE 3:1

F = FULL RADIUS (3 PLACES)
X = RADIUS 1 mm. (8 PLACES)

ROUND OFF ALL SHARP CORNERS WITH 0.5 mm.



SYMBOL OF QUALITY
AN ISO 9001 COMPANY

JINDAL ALUMINIUM LTD.
BANGALORE-560073 (INDIA)

	NAME	DATE
DRAWN	PARVESH	26-06-2018
CHECKED		
APPROVED	B.NATARAJA	29-06-2018
SCALE		2:1
AREA	mm ²	134.932
PERIMETER	mm.	207.13
WEIGHT	kg/m	0.364
DRAWING No.	SECTION No.	
P-18352	-	
S5903	S5903	
38745	38745	

1. ALL DIMENSIONS ARE IN mm.
2. ROUND OFF ALL SHARP CORNERS WITH 0.4 mm.
3. TOLERANCES WILL BE AS PER IS:3965-1981 , UNLESS OTHERWISE SPECIFIED

PARTY'S NAME	ALUCRAFT, BANGALORE
PARTY'S DRAWING No.	AS PER AUTOCAD DRAWING-02 (80 mm.)
ALLOY & TEMPER	6063 T6
DESCRIPTION	ARCHITECTURAL SECTION-SKIRTING