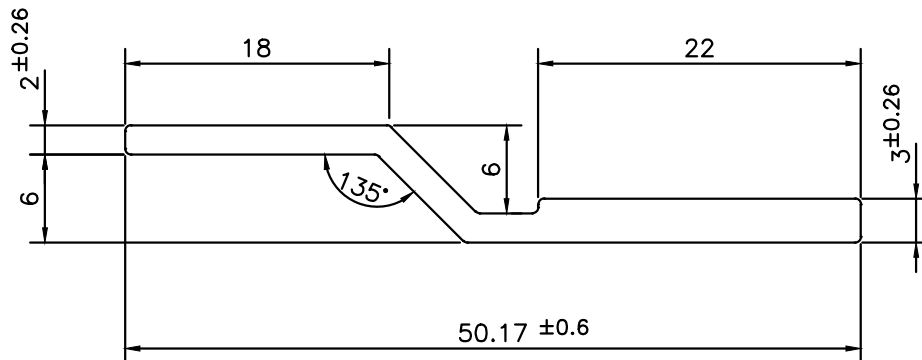


IAL-D-3616

38845



SCALE: - 1:1



TWIST =  $1/4^{\circ}/300$  mm./M  
 STRAIGHTNESS = 2.5 mm./MTR.  
 ANGULARITY =  $\pm 2.0^{\circ}$



SYMBOL OF QUALITY  
AN ISO 9001 COMPANY

**JINDAL ALUMINIUM LTD.**  
BANGALORE-560073 (INDIA)

	NAME	DATE
DRAWN	PARVESH	29-12-2021
CHECKED		
APPROVED		
SCALE	2:1	
AREA mm <sup>2</sup>	127.173	
PERIMETER mm.	110.212	
WEIGHT kg/m	0.348	
DRAWING No.	SECTION No.	
IAL-D-3616	-	
38845	38845	

1. ALL DIMENSIONS ARE IN mm.
2. ROUND OFF ALL SHARP CORNERS WITH 0.40 mm.
3. TOLERANCES WILL BE AS PER IS:3965-1981 , UNLESS OTHERWISE SPECIFIED

PARTY'S NAME	-
PARTY'S DRAWING No.	AS PER DRAWING
ALLOY & TEMPER	6063 T6
DESCRIPTION	ARCHITECTURAL SECTION