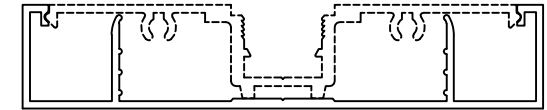
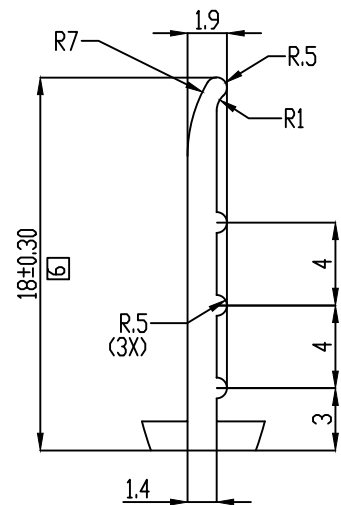
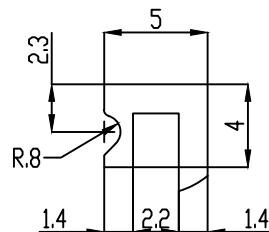
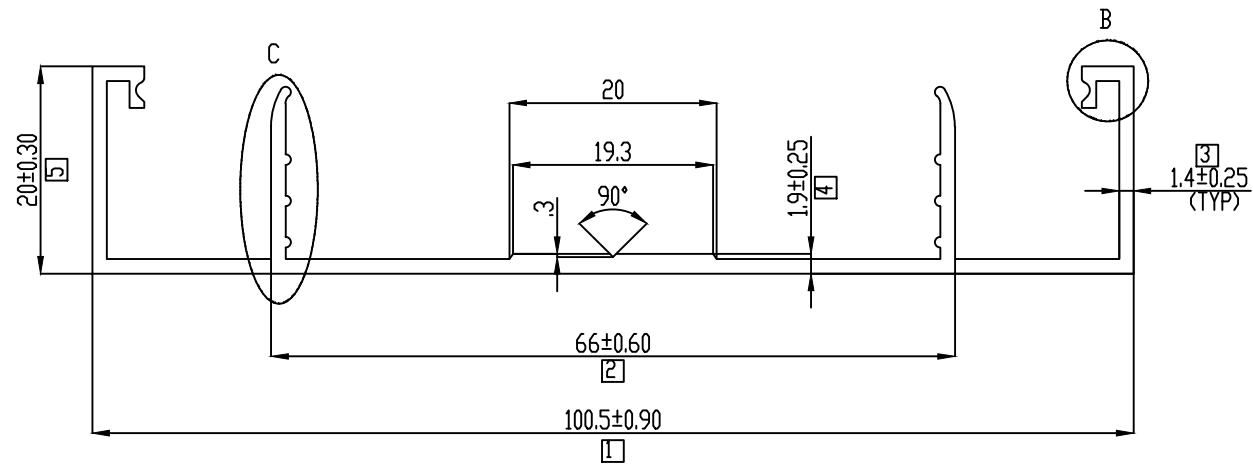


IAL-D-6741


38846



ASSEMBLY

DETAIL C
SCALE 4 : 1DETAIL B
SCALE 4 : 1

TWIST=±1/4°/300 M.M.
 FLATNESS= WIDTH X 0.005mm.
 STRAIGHTNESS= 1.50 M.M./MTR.
 ANGULARITY=±1.5°

 SYMBOL OF QUALITY AN ISO 9001 COMPANY	JINDAL ALUMINIUM LTD. BANGALORE-560073 (INDIA)		NAME	DATE
			DRAWN	PARVESH
1. ALL DIMENSIONS ARE IN mm. 2. ROUND OFF ALL SHARP CORNERS WITH 0.40 mm. 3. TOLERANCES WILL BE AS PER IS:3965-1981 , UNLESS OTHERWISE SPECIFIED			CHECKED	
			APPROVED	
PARTY'S NAME -			SCALE	1:1
			AREA mm ²	264.65
PARTY'S DRAWING No. AS PER DRAWING			PERIMETER mm.	373.87
			WEIGHT kg/m	0.714
ALLOY & TEMPER 6063 T6			DRAWING No.	SECTION No.
			IAL-D-6741	-
DESCRIPTION ARCHITECTURAL SECTION			38846	38846