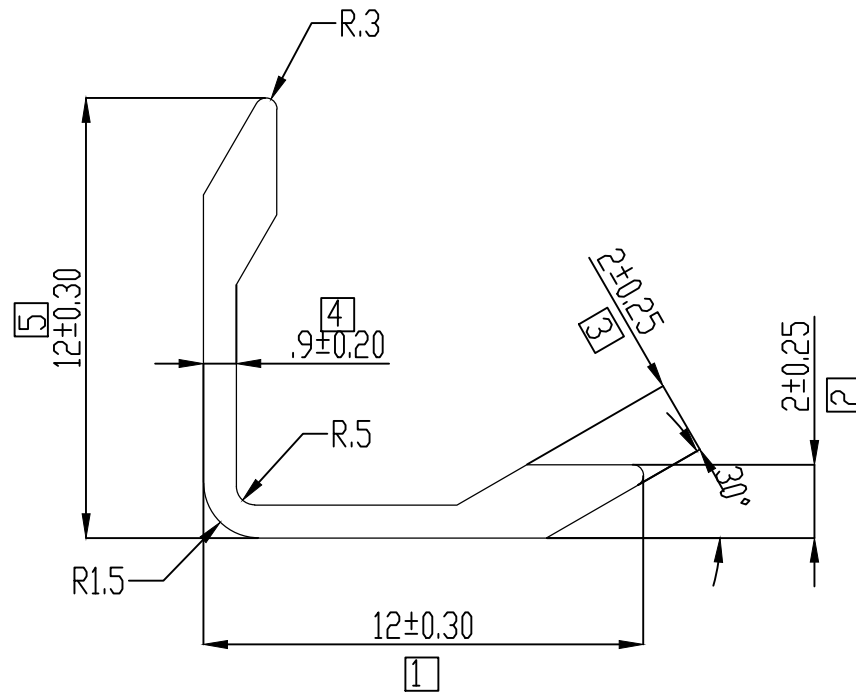


IAL-D-6544

38854



TWIST=±1/4°/300 M.M./M.  
 FLATNESS= WIDTH X 0.005mm.  
 STRAIGHTNESS= 1.50 M.M./MTR.  
 ANGULARITY=±1.5°



SYMBOL OF QUALITY  
AN ISO 9001 COMPANY

**JINDAL ALUMINIUM LTD.**  
BANGALORE-560073 (INDIA)

|                      | NAME    | DATE        |
|----------------------|---------|-------------|
| DRAWN                | PARVESH | 30-12-2021  |
| CHECKED              |         |             |
| APPROVED             |         |             |
| SCALE                |         | 5:1         |
| AREA mm <sup>2</sup> |         | 25.37       |
| PERIMETER mm.        |         | 47.37       |
| WEIGHT kg/m          |         | 0.068       |
| DRAWING No.          |         | SECTION No. |
| IAL-D-6544           |         | -           |
| 38854                |         | 38854       |
|                      |         |             |
|                      |         |             |

1. ALL DIMENSIONS ARE IN mm.
2. ROUND OFF ALL SHARP CORNERS WITH 0.40 mm.
3. TOLERANCES WILL BE AS PER IS:3965-1981 , UNLESS OTHERWISE SPECIFIED

|                     |                       |
|---------------------|-----------------------|
| PARTY'S NAME        | -                     |
| PARTY'S DRAWING No. | AS PER DRAWING        |
| ALLOY & TEMPER      | 6063 T6               |
| DESCRIPTION         | ARCHITECTURAL SECTION |