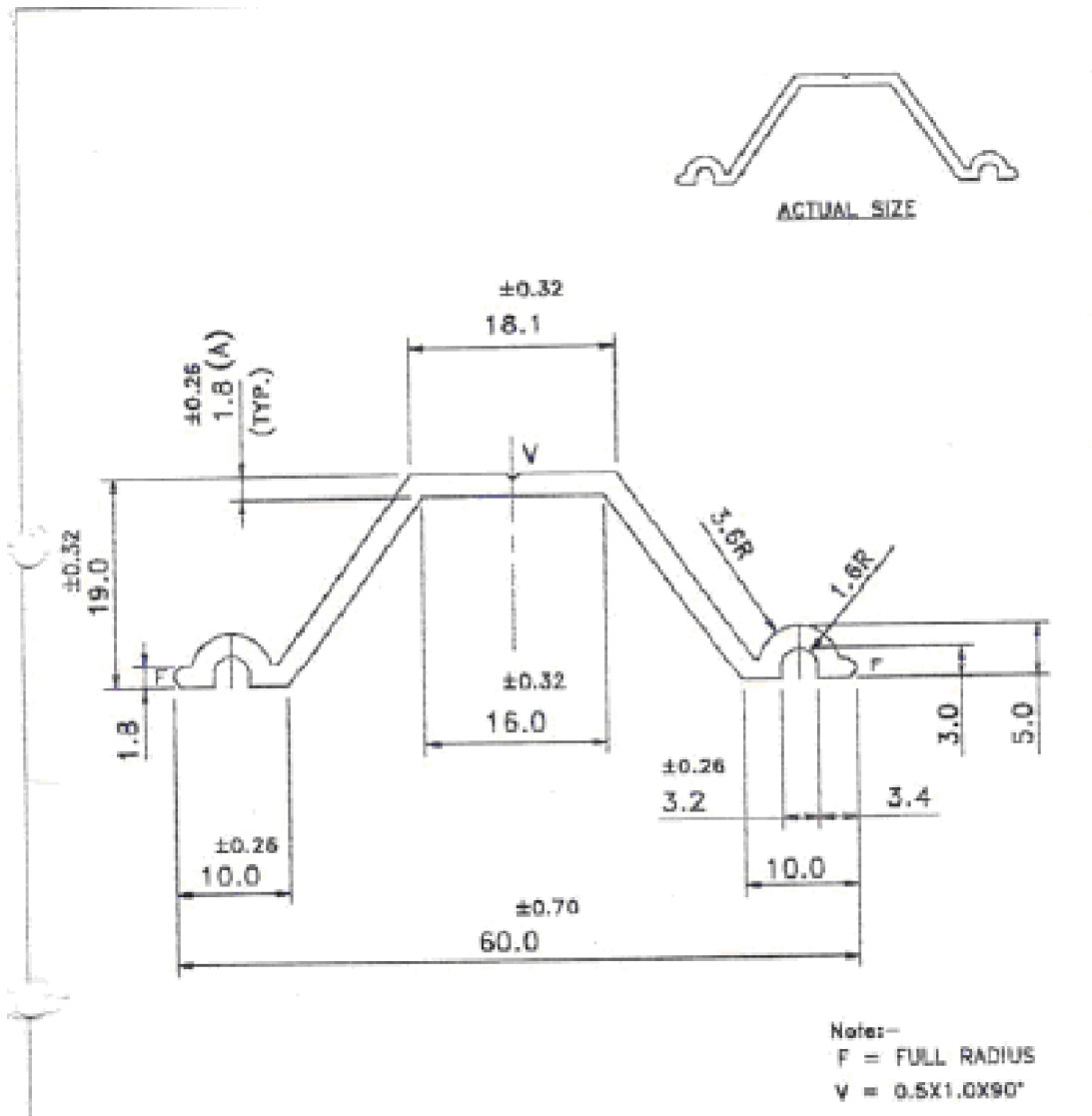


IAL-D-3451

38858



SYMBOL OF QUALITY
 AN ISO 9001 COMPANY

JINDAL ALUMINIUM LTD.
 BANGALORE-560073 (INDIA)

NAME DATE

DRAWN PARVESH 12-01-2022

CHECKED

APPROVED

1. ALL DIMENSIONS ARE IN mm.
2. ROUND OFF ALL SHARP CORNERS WITH 0.40 mm.
3. TOLERANCES WILL BE AS PER IS:3965-1981 , UNLESS OTHERWISE SPECIFIED

SCALE N.T.S.

AREA mm² 135.5

PERIMETER mm. 170.5

WEIGHT kg/m 0.365

PARTY'S NAME

-

DRAWING No.

SECTION No.

PARTY'S DRAWING No.

AS PER DRAWING

IAL-D-3451

-

ALLOY & TEMPER

6063 T6

38858

38858

DESCRIPTION

ARCHITECTURAL SECTION