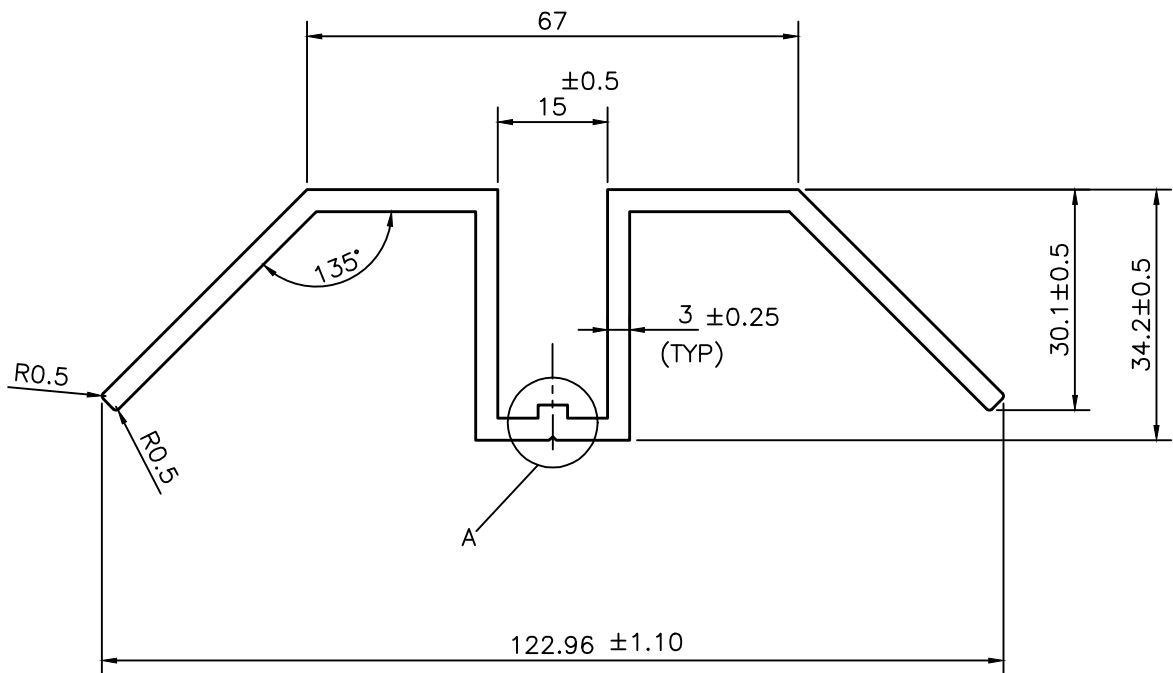
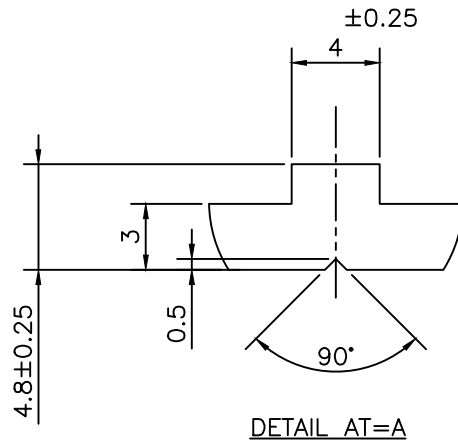


IAL-D-6863

38861



SYMBOL OF QUALITY
AN ISO 9001 COMPANY

JINDAL ALUMINIUM LTD.
BANGALORE-560073 (INDIA)

	NAME	DATE
DRAWN	S.K.SHARMA	21-01-2022
CHECKED		
APPROVED		
SCALE		1:1&2:1
AREA mm ²		626.64
PERIMETER mm.		420.71
WEIGHT kg/m		1.692
DRAWING No.	SECTION No.	
IAL-D-6863	-	
38861	38861	

1. ALL DIMENSIONS ARE IN mm.
2. ROUND OFF ALL SHARP CORNERS WITH 0.40 mm.
3. TOLERANCES WILL BE AS PER BS:EN-755-9 , UNLESS OTHERWISE SPECIFIED

PARTY'S NAME	M/S. AASTHA ALUMINA PVT.LTD.
PARTY'S DRAWING No.	AS PER DRAWING
ALLOY & TEMPER	6063-T6
DESCRIPTION	ARCHITECTURAL SECTION