

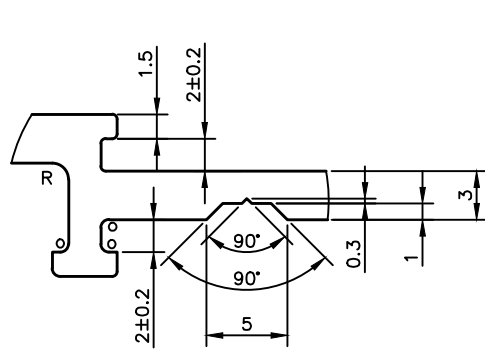
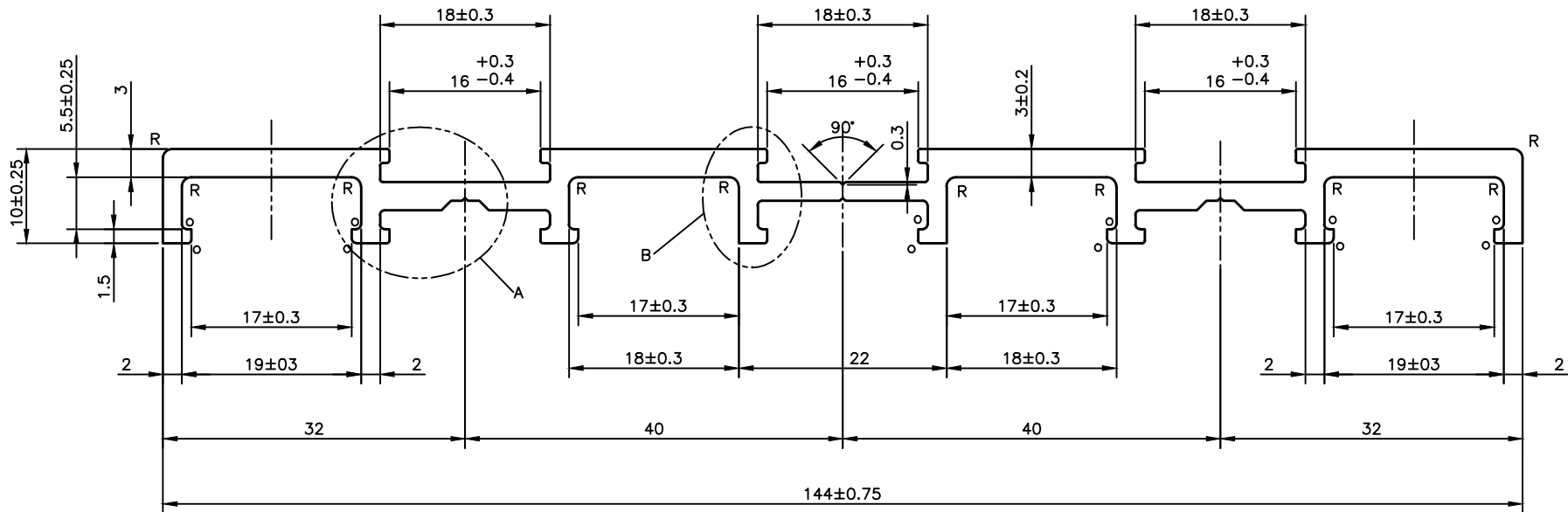
ACTUAL SIZE

NOTE:-

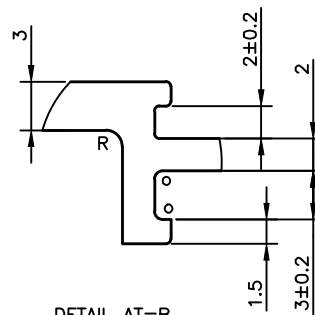
R = 1.0R

O = 0.5R

Unmarked Radius 0.3



DETAIL AT=A



DETAIL AT=B

<p>JINDAL ALUMINIUM LTD. BANGALORE-560073 (INDIA)</p> <p>SYMBOL OF QUALITY AN ISO 9001 COMPANY</p>	NAME	DATE
	DRAWN	S.K.SHARMA
<p>1. ALL DIMENSIONS ARE IN mm. 2. ROUND OFF ALL SHARP CORNERS WITH 0.40 mm. 3. TOLERANCES WILL BE AS PER IS:6477-1983 , UNLESS OTHERWISE SPECIFIED</p>	CHECKED	
	APPROVED	
	SCALE	1:1&2:1
PARTY'S NAME	M/S.EN CRAFT INDIA PVT.LTD.	AREA mm ² 546.52
PARTY'S DRAWING No.	AS PER DRAWING	PERIMETER mm. 433.52
ALLOY & TEMPER	6063 T6	WEIGHT kg/m 1.476
DESCRIPTION	ARCHITECTURAL SECTION	DRAWING No. SECTION No.
		IAL-D-6473 -
		38863 38863