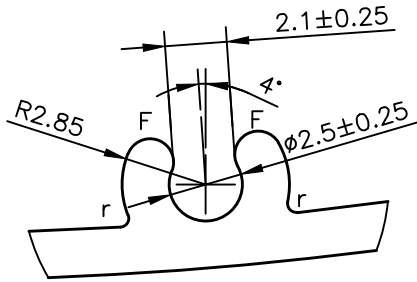
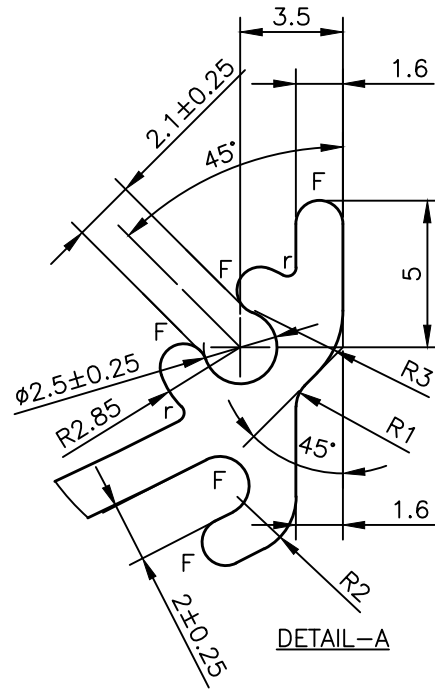


IAL-D-7481

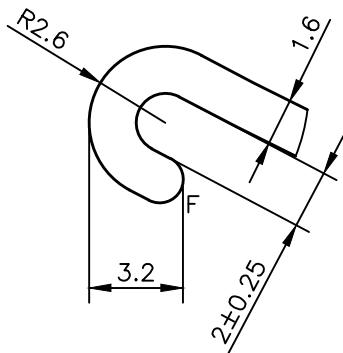
38866



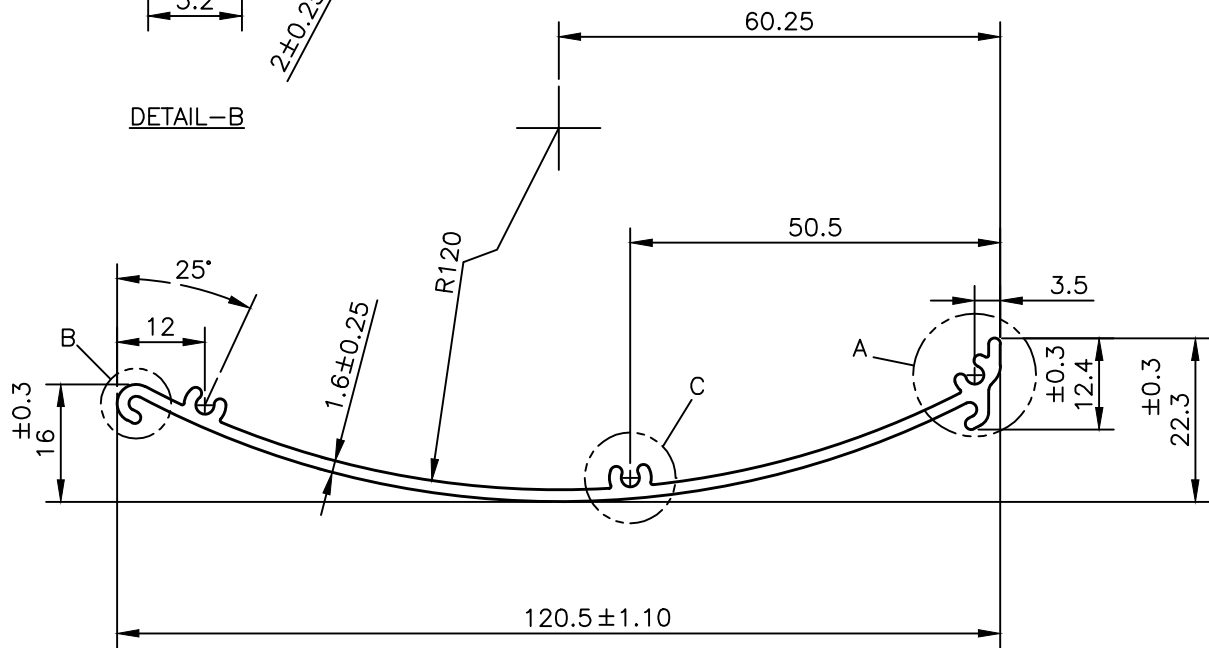
DETAIL-C



DETAIL-A



DETAIL-B



NOTE:-

$r = 0.3R$
 $F = \text{FULL RADIUS}$



SYMBOL OF QUALITY
 AN ISO 9001 COMPANY

JINDAL ALUMINIUM LTD.
 BANGALORE-560073 (INDIA)

NAME DATE

DRAWN S.K.SHARMA 08-02-2022

CHECKED

APPROVED

1. ALL DIMENSIONS ARE IN mm.
2. ROUND OFF ALL SHARP CORNERS WITH 0.40 mm.
3. TOLERANCES WILL BE AS PER BS:EN-755-9 , UNLESS OTHERWISE SPECIFIED

SCALE 1:1&4:1

AREA mm² 249.3

PERIMETER mm. 302.8

WEIGHT kg/m 0.673

PARTY'S NAME M/S. S.K.ENTERPRISE

PARTY'S DRAWING No. AS PER DRAWING

ALLOY & TEMPER 6063-T6

DESCRIPTION ARCHITECTURAL SECTION

DRAWING No. SECTION No.

IAL-D-7481 -

38866 38866