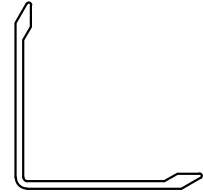
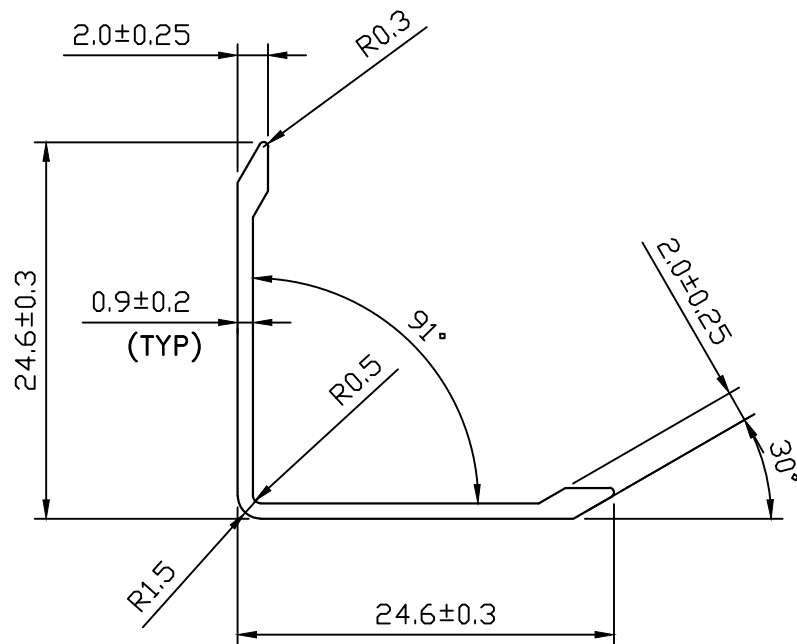


IAL-C-1013

38874

ACTUAL SIZE

SYMBOL OF QUALITY  
AN ISO 9001 COMPANY

**JINDAL ALUMINIUM LTD.**  
BANGALORE-560073 (INDIA)

	NAME	DATE
DRAWN	S.K.SHARMA	18-02-2022
CHECKED		
APPROVED		

1. ALL DIMENSIONS ARE IN mm.
2. ROUND OFF ALL SHARP CORNERS WITH 0.40 mm.
3. TOLERANCES WILL BE AS PER BS:EN-755-9 , UNLESS OTHERWISE SPECIFIED

SCALE	1:1&2:1
AREA mm <sup>2</sup>	48.05
PERIMETER mm.	97.77
WEIGHT kg/m	0.130

PARTY'S NAME	M/s. PERFECT SOLUTIONS	DRAWING No.	SECTION No.
PARTY'S DRAWING No.	AS PER DRAWING	IAL-C-1013	-
ALLOY & TEMPER	6063-T6	38874	38874
DESCRIPTION	ARCHITECTURAL SECTION		