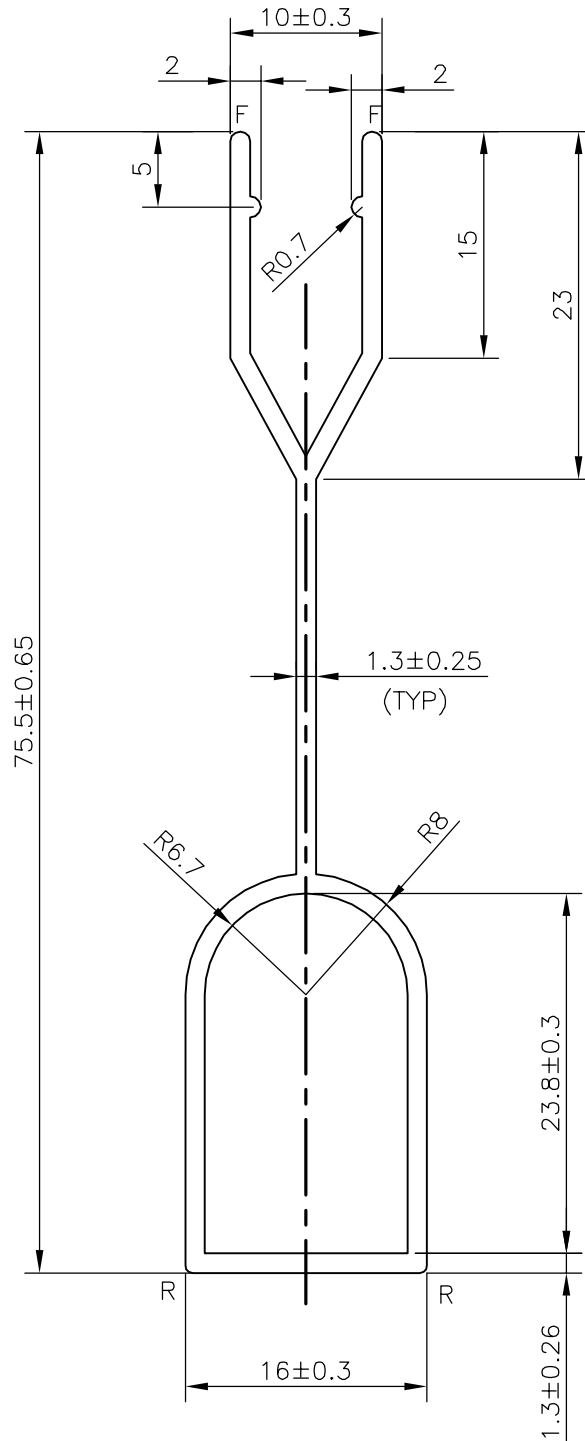


IAL-D-6299

38883



SCALE: 1:1

NOTE:-**R = 0.5R****F = FULL RADIUS**

SYMBOL OF QUALITY
AN ISO 9001 COMPANY

JINDAL ALUMINIUM LTD.
BANGALORE-560073 (INDIA)

	NAME	DATE
DRAWN	S.K.SHARMA	26-03-2022
CHECKED		
APPROVED		

1. ALL DIMENSIONS ARE IN mm.
2. ROUND OFF ALL SHARP CORNERS WITH 0.40 mm.
3. TOLERANCES WILL BE AS PER BS:EN-755-9 , UNLESS OTHERWISE SPECIFIED

SCALE	1:1&2:1
AREA mm ²	192.0
PERIMETER mm.	224.6
WEIGHT kg/m	0.519

PARTY'S NAME M/S. KOHLI ALUMINIUM

DRAWING No. SECTION No.

PARTY'S DRAWING No. AS PER DRAWING

IAL-D-6299
38883 38883

ALLOY & TEMPER 6063-T6

DESCRIPTION --