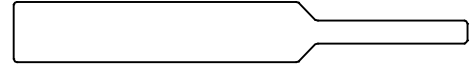


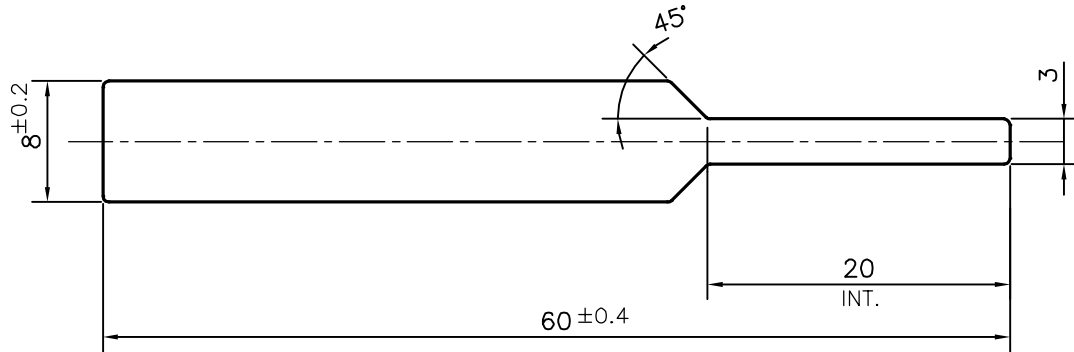
P-15367

S4783

40513



SCALE: - 1:1



SYMBOL OF QUALITY
AN ISO 9001 COMPANY

JINDAL ALUMINIUM LTD.
BANGALORE-560073 (INDIA)

	NAME	DATE
DRAWN	PARVESH	25-11-2015
CHECKED		
APPROVED	S.S.GARG	12-12-2015
SCALE		2:1
AREA mm ²		373.613
PERIMETER mm.		132.315
WEIGHT kg/m		1.009
DRAWING No.	SECTION No.	
P-15367	-	
S4783	S4783	
40513	40513	

1. ALL DIMENSIONS ARE IN mm.
2. ROUND OFF ALL SHARP CORNERS WITH 0.40 mm.
3. TOLERANCES WILL BE AS PER IS:3965-1981 , UNLESS OTHERWISE SPECIFIED

PARTY'S NAME	BAJAJ TAMBULA PINNED PRODUCTS PVT. LTD., KOLKATA
PARTY'S DRAWING No.	BT/FS/025/15-16
ALLOY & TEMPER	6082 T6
DESCRIPTION	TEXTILE SECTION