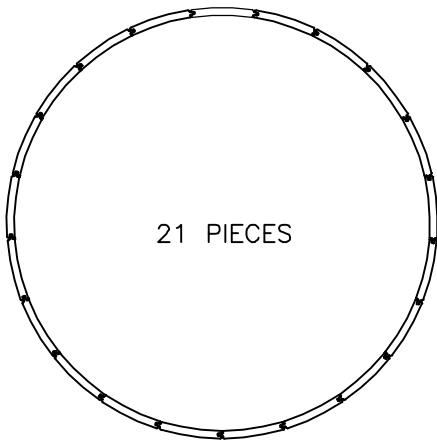
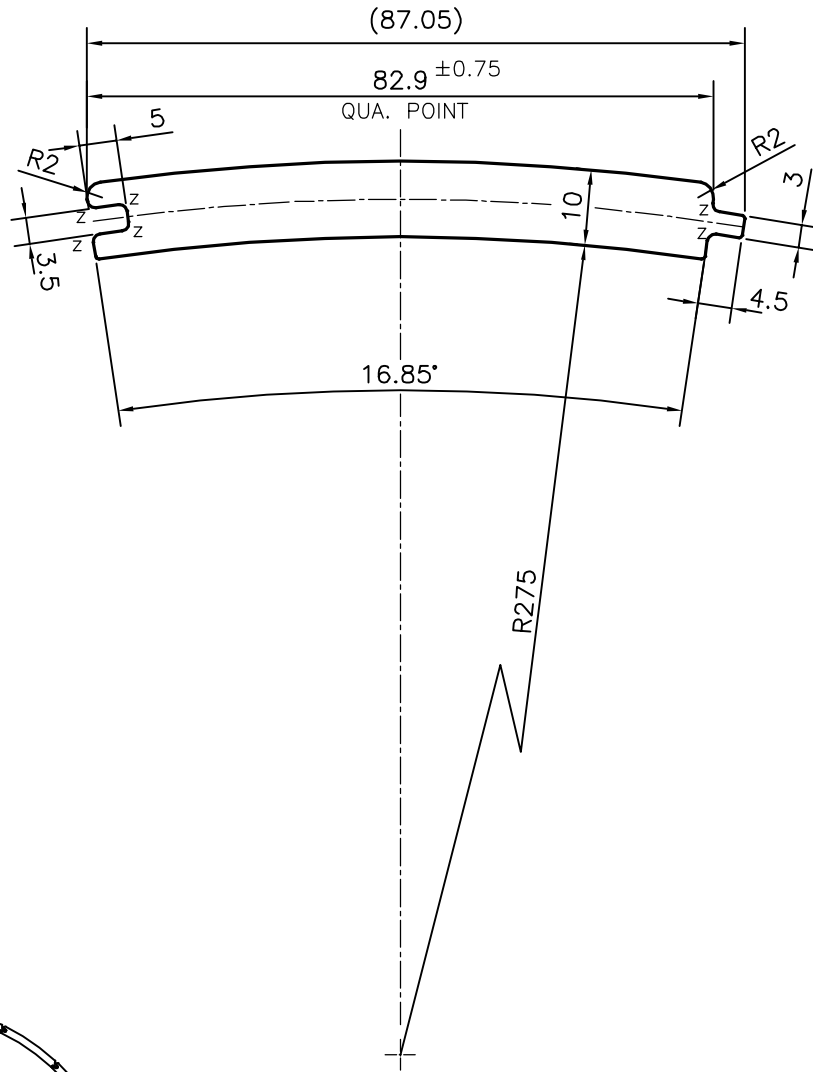



P-15424
S4784
40514



Z = RADIUS 1 mm. (6 PLACES)

 SYMBOL OF QUALITY AN ISO 9001 COMPANY	JINDAL ALUMINIUM LTD. BANGALORE-560073 (INDIA)	DRAWN	NAME PARVESH	DATE 09-12-2015
		CHECKED		
1. ALL DIMENSIONS ARE IN mm. 2. ROUND OFF ALL SHARP CORNERS WITH 0.40 mm. 3. TOLERANCES WILL BE AS PER IS:3965-1981 , UNLESS OTHERWISE SPECIFIED		APPROVED	S.S.GARG	15-12-2015
		SCALE		1:1
PARTY'S NAME BAJAJ TAMBULA PINNED PRODUCTS PVT. LTD., KOLKATA		AREA	mm ²	817.311
		PERIMETER	mm.	198.559
PARTY'S DRAWING No. BT/LR/017/15-16		WEIGHT	kg/m	2.207
		DRAWING No.	SECTION No.	
ALLOY & TEMPER 6082 T6		P-15424	-	
		S4784	S4784	
DESCRIPTION TEXTILE SECTION		40514	40514	