

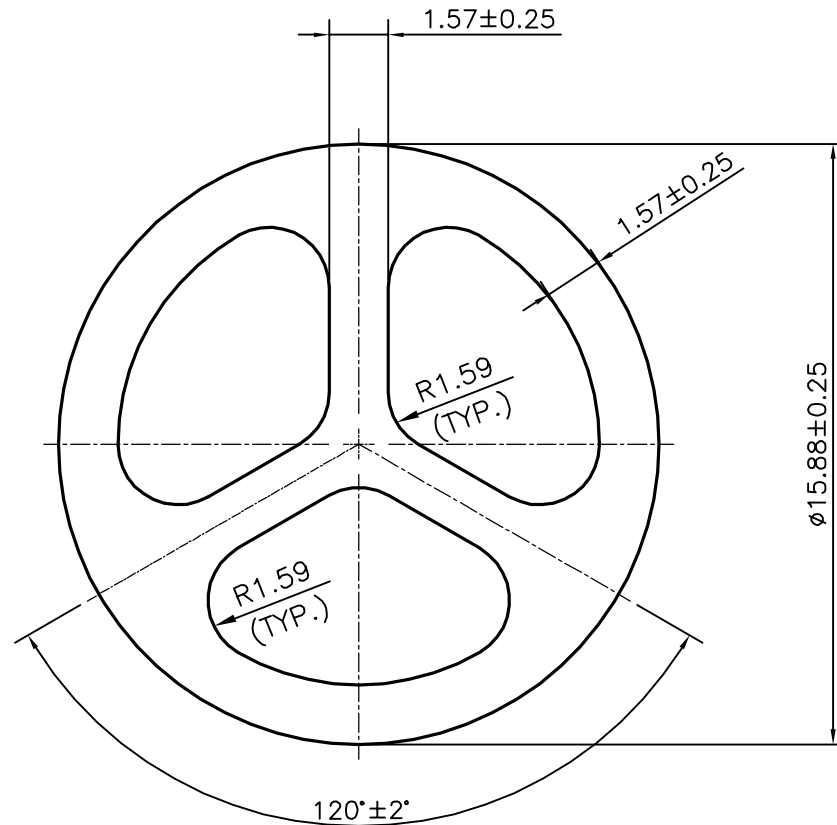
P-15548

S4838

40516



1:1



SYMBOL OF QUALITY  
AN ISO 9001 COMPANY

**JINDAL ALUMINIUM LTD.**  
BANGALORE-560073 (INDIA)

	NAME	DATE
DRAWN	J.P.KAUSHIK	27-01-2016
CHECKED		
APPROVED	B. NATARAJ	05-02-2016
SCALE		5:1
AREA	mm <sup>2</sup>	107.344
PERIMETER	mm.	49.888
WEIGHT	kg/m	0.290
DRAWING No.		SECTION No.
P-15548		-
S4838		S4838
40516		40516

1. ALL DIMENSIONS ARE IN mm.
2. ROUND OFF ALL SHARP CORNERS WITH 0.40 mm.
3. TOLERANCES WILL BE AS PER IS:6477-1983, UNLESS OTHERWISE SPECIFIED

PARTY'S NAME      SHRIRAM RAYONS, KOTA

PARTY'S DRAWING No.      AS PER SAMPLE

ALLOY & TEMPER      63400 WP

DESCRIPTION      TEXTILE SECTION