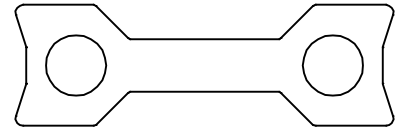
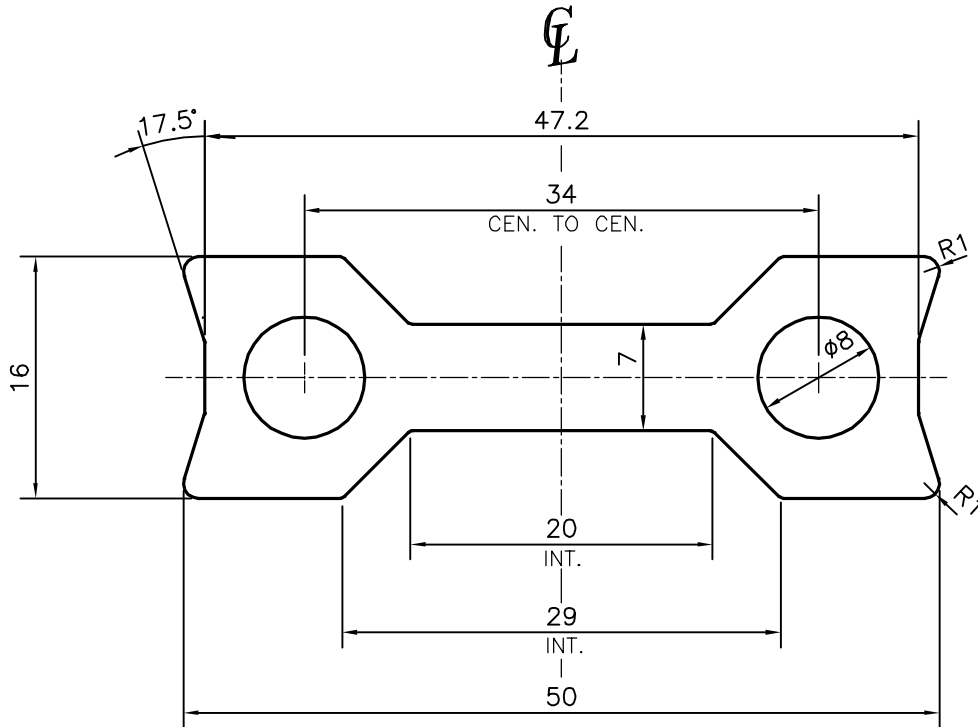



P-15852-1
S4947
40520



SCALE :- 1:1



 SYMBOL OF QUALITY AN ISO 9001 COMPANY	<b>JINDAL ALUMINIUM LTD.</b> BANGALORE-560073 (INDIA)	DRAWN	J.P.KAUSHIK	DATE	21-05-2016
		CHECKED			
1. ALL DIMENSIONS ARE IN mm. 2. ROUND OFF ALL SHARP CORNERS WITH 0.40 mm. 3. TOLERANCES WILL BE AS PER IS:6477-1983 , UNLESS OTHERWISE SPECIFIED		APPROVED	S.S. GARG	DATE	25-05-2016
		SCALE			2:1
PARTY'S NAME R V INDUSTRIES, BANGALORE		AREA	mm <sup>2</sup>		452.201
		PERIMETER	mm.		138.45
PARTY'S DRAWING No. AS PER DRAWING & REQUIREMENT		WEIGHT	kg/m		1.221
		DRAWING No.		SECTION No.	
ALLOY & TEMPER 6082 T6		P-15852-1		-	
		S4947		S4947	
DESCRIPTION TEXTILE SECTION		40520		40520	