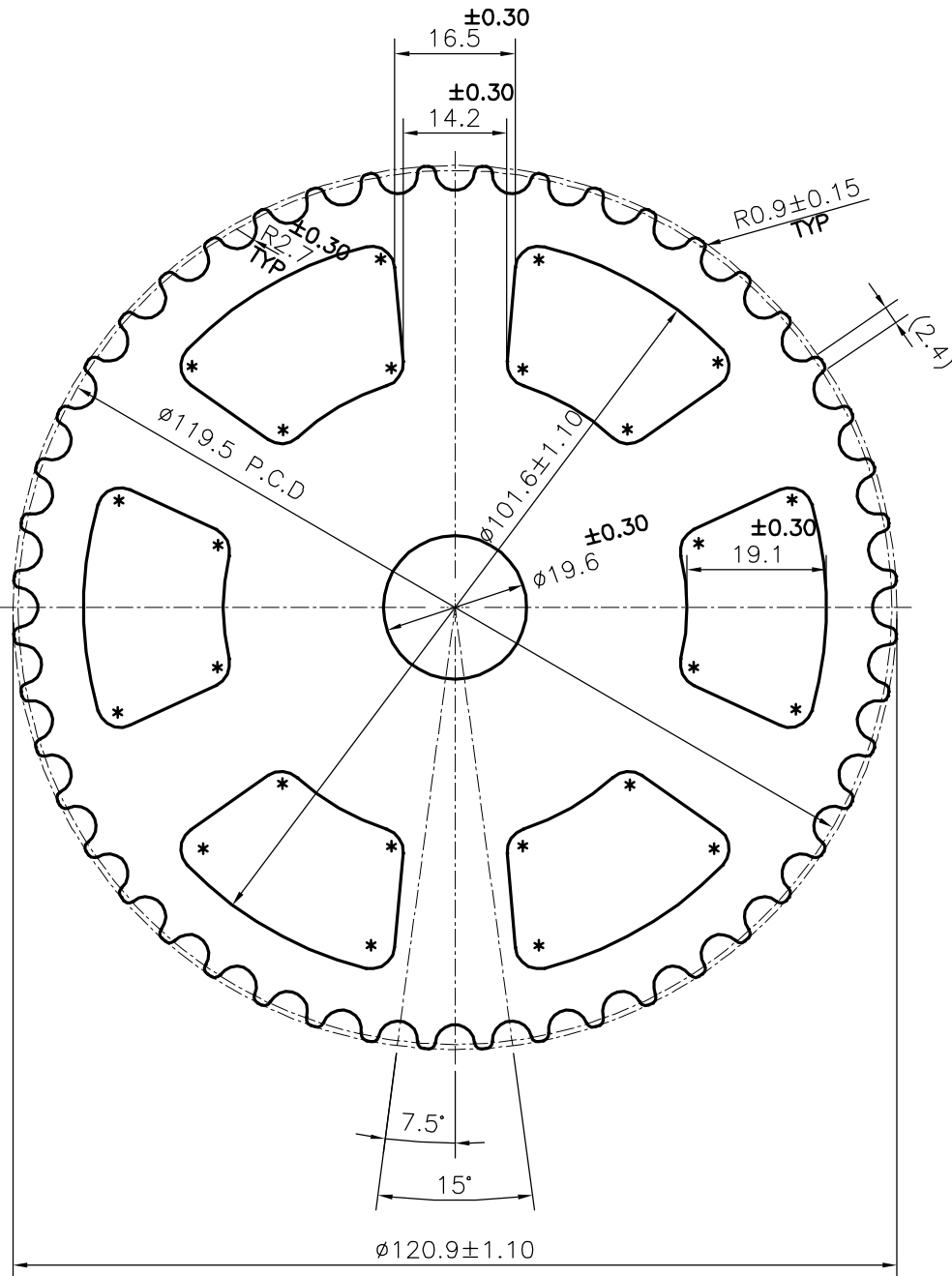


P-21321

40540



* = 3.18 RADIUS (24 PLACES)



SYMBOL OF QUALITY
AN ISO 9001 COMPANY

JINDAL ALUMINIUM LTD.
BANGALORE-560073 (INDIA)

	NAME	DATE
DRAWN	J.P.KAUSHIK	13-08-2020
CHECKED		
APPROVED	J.N.RAI	03-09-2020

1. ALL DIMENSIONS ARE IN mm.
2. ROUND OFF ALL SHARP CORNERS WITH 0.40 mm.
3. TOLERANCES WILL BE AS PER IS:6477-1983 , UNLESS OTHERWISE SPECIFIED

SCALE	1:1
AREA mm ²	7317.755
PERIMETER mm.	548.53
WEIGHT kg/m	19.758

PARTY'S NAME	KEWAUNEE LABWAY INDIA PVT. LTD., BANGALORE
PARTY'S DRAWING No.	9005-02 REV. B
ALLOY & TEMPER	6063 T6
DESCRIPTION	COGGED PULLEY SECTION

DRAWING No.	SECTION No.
P-21321	-
40540	40540