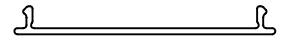
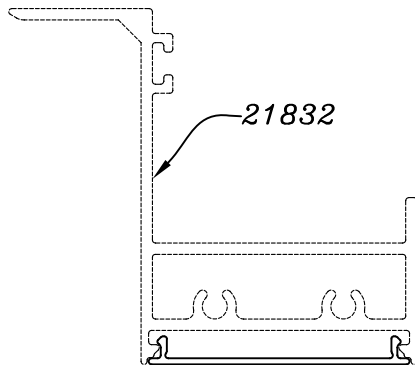
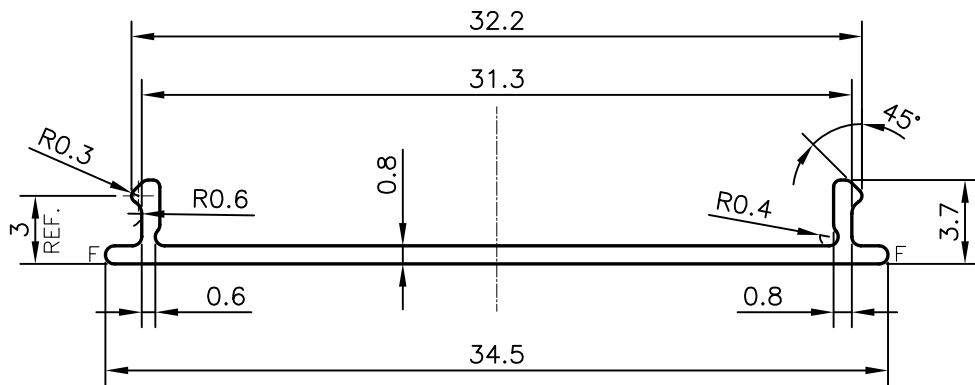


P-18954

41507



SCALE: - 1:1



F = FULL RADIUS (2 PLACES)



SYMBOL OF QUALITY
AN ISO 9001 COMPANY

JINDAL ALUMINIUM LTD.
BANGALORE-560073 (INDIA)

	NAME	DATE
DRAWN	PARVESH	13-12-2018
CHECKED		
APPROVED	B.NATARAJA	04-01-2019
SCALE		3:1
AREA mm ²		32.525
PERIMETER mm.		81.558
WEIGHT kg/m		0.088

1. ALL DIMENSIONS ARE IN mm.
2. ROUND OFF ALL SHARP CORNERS WITH 0.4 mm.
3. TOLERANCES WILL BE AS PER BS:EN-755-9 , UNLESS OTHERWISE SPECIFIED

PARTY'S NAME	PRAYOSHA ENTERPRISES LTD., (K) LTD., KENYA	DRAWING No.	P-18954	SECTION No.	-
PARTY'S DRAWING No.	AS PER DRAWING & REQUIREMENT		41507		41507
ALLOY & TEMPER	6063 T6				
DESCRIPTION	GLAZING CLIP SECTION				