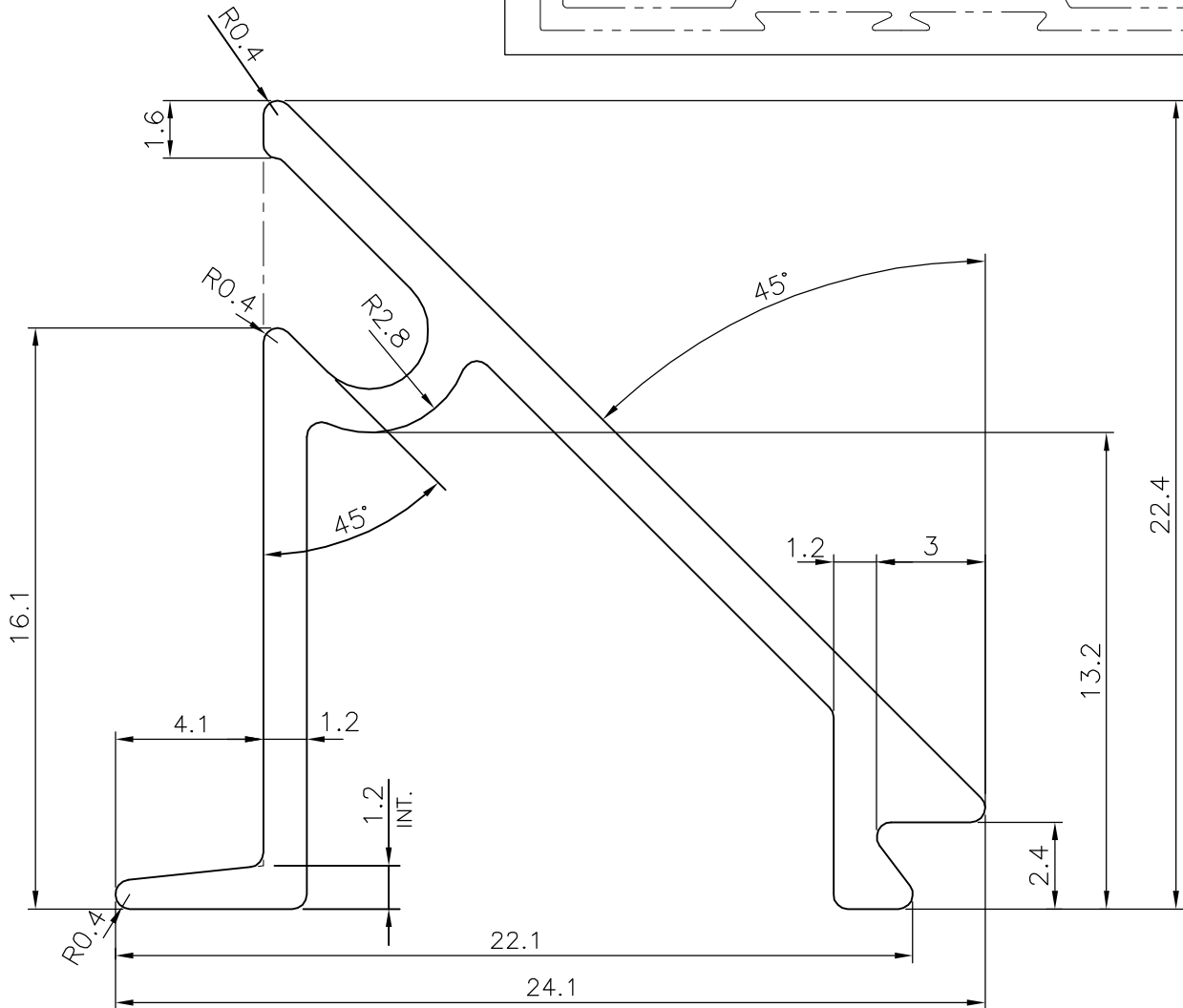
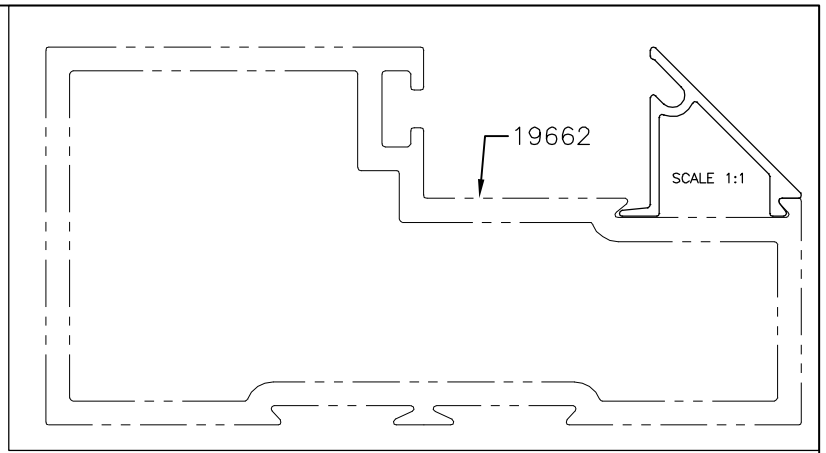


P-16799

S5299

41518



## TOLERANCES ON OVERALL WIDTHS &amp; WIDTHS ACROSS FLATS OF BARS, &amp; REGULAR SECTIONS

UPTO 6.40mm - ±0.20	UPTO 32.0mm - ±0.38	UPTO 120.0mm - ±0.85	UPTO 320.00mm - ±1.70
UPTO 10.0mm - ±0.23	UPTO 50.0mm - ±0.46	UPTO 160.0mm - ±1.02	
UPTO 12.0mm - ±0.25	UPTO 60.0mm - ±0.53	UPTO 200.0mm - ±1.14	
UPTO 16.0mm - ±0.28	UPTO 80.0mm - ±0.69	UPTO 250.0mm - ±1.40	
UPTO 25.0mm - ±0.30	UPTO 100.0mm - ±0.75	UPTO 300.0mm - ±1.65	



SYMBOL OF QUALITY  
AN ISO 9001 COMPANY

**JINDAL ALUMINIUM LTD.**  
BANGALORE-560073 (INDIA)

	NAME	DATE
DRAWN	J.P.KAUSHIK	03-02-2017
CHECKED		
APPROVED	B.NATARAJ	13-02-2017

1. ALL DIMENSIONS ARE IN mm.
2. ROUND OFF ALL SHARP CORNERS WITH 0.40 mm.
3. TOLERANCES WILL BE AS PER IS:3965-1981 ,UNLESS OTHERWISE SPECIFIED

SCALE	5:1
AREA mm <sup>2</sup>	71.864
PERIMETER mm.	112.57
WEIGHT kg/m	0.194

PARTY'S NAME VARUN GROUP, VISHAKHAPATTANAM

DRAWING No. SECTION No.

PARTY'S DRAWING No. AS PER DRAWING

P-16799 -

ALLOY & TEMPER 6063 T6

S5299 S5299

DESCRIPTION GLAZING CLIP SECTION

41518 41518