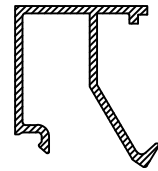
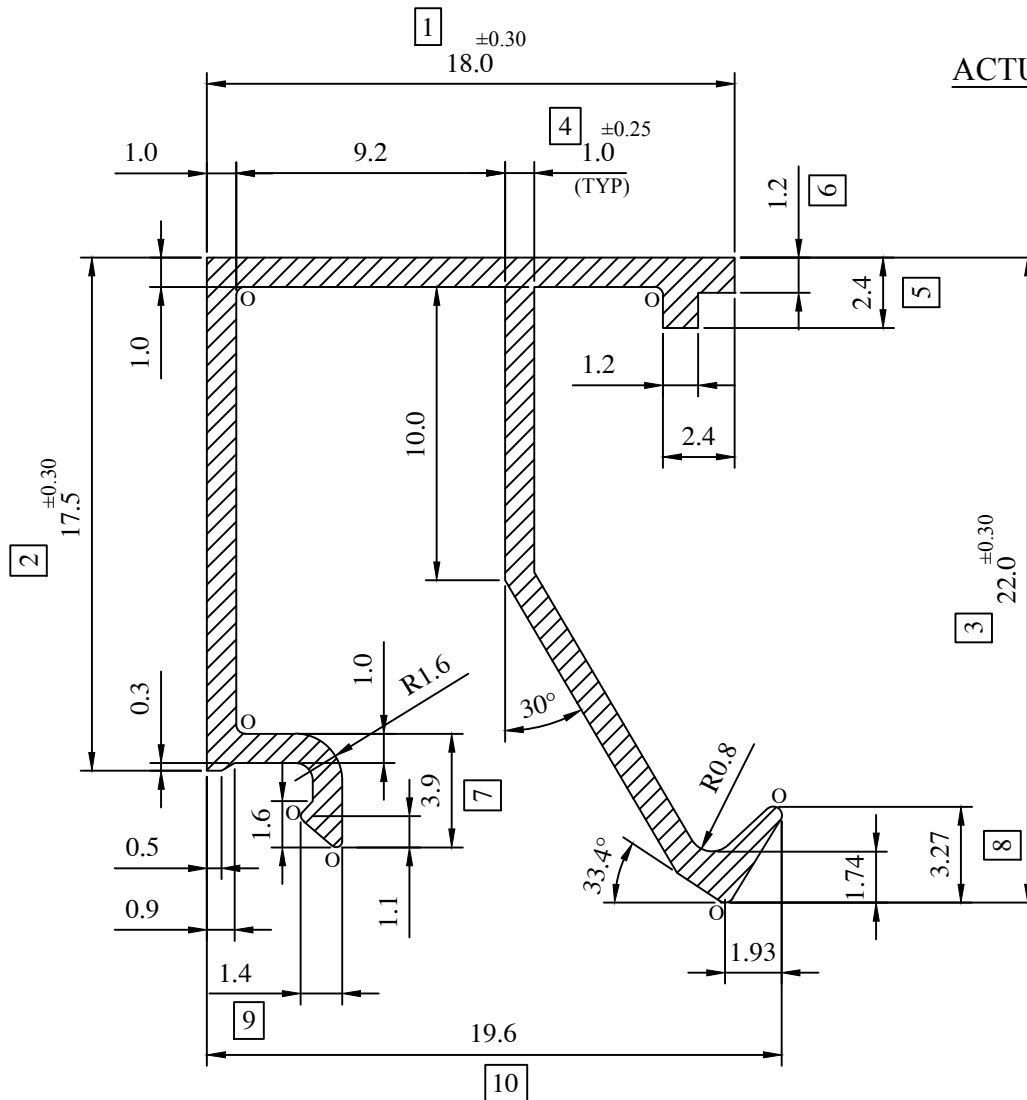


IAL-D-5878

41557



ACTUAL SIZE



FLATNESS = WIDTH X 0.005mm.  
 STRAIGHTNESS = 1.50 mm./mtr.  
 ANGULARITY = ±1.5°

NOTE: -

WEIGHT : -0.184G/M. = +5% MAX.

NOTE:-

O= 0.30R



SYMBOL OF QUALITY  
AN ISO 9001 COMPANY

**JINDAL ALUMINIUM LTD.**  
BANGALORE-560073 (INDIA)

	NAME	DATE
DRAWN	PARVESH	10-12-2021
CHECKED		
APPROVED		
SCALE		1:1
AREA mm <sup>2</sup>		68.00
PERIMETER mm.		135.47
WEIGHT kg/m		0.184
DRAWING No.	SECTION No.	
IAL-D-5878	-	
41557	41557	

1. ALL DIMENSIONS ARE IN mm.  
 2. ROUND OFF ALL SHARP CORNERS WITH 0.40 mm.  
 3. TOLERANCES WILL BE AS PER BS:EN-755-9 , UNLESS OTHERWISE SPECIFIED

PARTY'S NAME	IS:3965-1981
PARTY'S DRAWING No.	AS PER DRAWING
ALLOY & TEMPER	6063 T6
DESCRIPTION	GLAZING CLIP SECTION