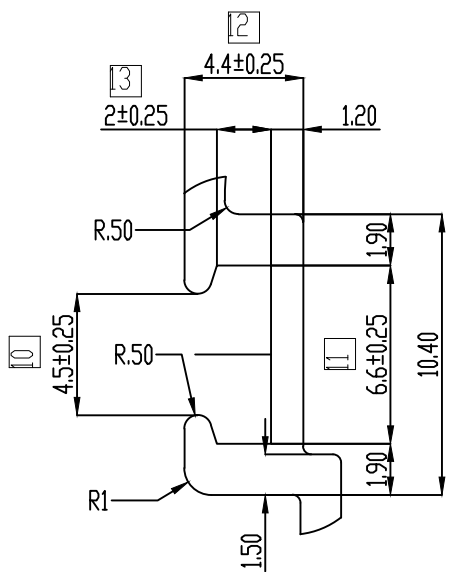
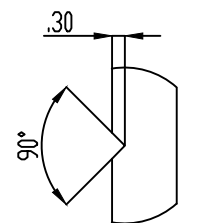


NOTE:-
'V' Groove = 03X0.6X90 °


TWIST = ±1/4°/300 M.M.
FLATNESS = WIDTH X 0.005mm.
STRAIGHTNESS = 1.50 M.M./MTR.
ANGULARITY = ±1.5°



DETAIL A
SCALE 5 : 1



DETAIL B
SCALE 8 : 1

 SYMBOL OF QUALITY AN ISO 9001 COMPANY	JINDAL ALUMINIUM LTD. BANGALORE-560073 (INDIA)		NAME	DATE
			PARVESH	15-12-2021
1. ALL DIMENSIONS ARE IN mm. 2. ROUND OFF ALL SHARP CORNERS WITH 0.40 mm. 3. TOLERANCES WILL BE AS PER IS:3965-1981 , UNLESS OTHERWISE SPECIFIED		DRAWN		
		CHECKED		
		APPROVED		
		SCALE		1:1
		AREA mm ²		129.40
		PERIMETER mm.		179.42
		WEIGHT kg/m		0.349
PARTY'S NAME		DRAWING No.		SECTION No.
-		IAL-D-6865		-
PARTY'S DRAWING No.		41559		41559
ALLOY & TEMPER				
6063 T6				
DESCRIPTION				
GLAZING CLIP SECTION				