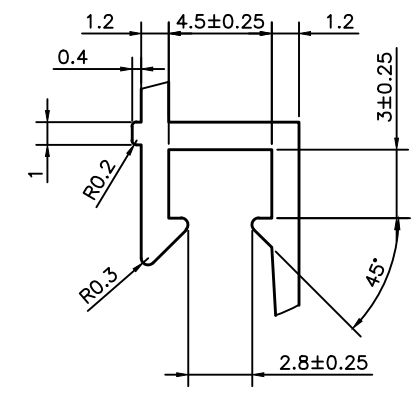
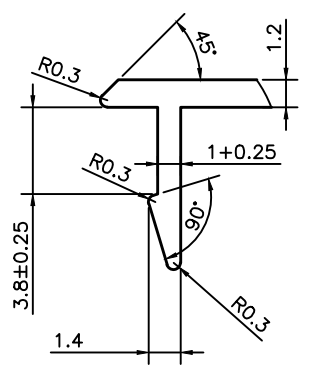


DETAIL AT=A



DETAIL AT=D



DETAIL AT=C

 SYMBOL OF QUALITY AN ISO 9001 COMPANY	<b>JINDAL ALUMINIUM LTD.</b> BANGALORE-560073 (INDIA)		NAME	DATE
			DRAWN	S.K.SHARMA 14-02-2022
			CHECKED	
1. ALL DIMENSIONS ARE IN mm. 2. ROUND OFF ALL SHARP CORNERS WITH 0.40 mm. 3. TOLERANCES WILL BE AS PER IS:6477-1983 , UNLESS OTHERWISE SPECIFIED			APPROVED	
PARTY'S NAME M/S.KOHLI ALUMINIUM			SCALE	1:1&3:1
			AREA mm <sup>2</sup>	138.56
PARTY'S DRAWING No. AS PER DRAWING			PERIMETER mm.	238.51
			WEIGHT kg/m	0.374
ALLOY & TEMPER 6063 T6			DRAWING No.	SECTION No.
			IAL-D-6991 41565	- 41565
DESCRIPTION GLAZING CLIP SECTION				